

Service
Service
Service



Service Manual



TABLE OF CONTENTS

Handling chip components1-1
 Technical specification.....2-1
 Service tools2-1
 Service measurement setup2-2
 Connections and controls3-1...3-2

Disassembly diagram4-1
 Service Test Program4-2
 Pin description of ICs.....4-3...4-4
 Set block diagram5-1
 Set wiring diagram5-2

LED BOARD
 circuit diagram6-1
 layout diagram6-1

FRONT BOARD
 circuit diagram7-1
 layout diagram7-2

TUNER BOARD (ECO6 cenelec)
 circuit diagram8-1
 layout diagram8-2
 tuner adjustment table8-2

TUNER BOARD (ECO6 non cenelec)
 circuit diagram8-3
 layout diagram8-4
 tuner adjustment table8-4

ETF 8 TAPE DECK MODULE
 circuit diagram9-1
 layout diagram9-2
 tape deck adjustment.....9-3
 tape deck wiring diagram.....9-4

COMBI BOARD
 circuit diagram10-1...10-3
 layout diagram10-4

CD MODULE (CD99-DA11)
 circuit diagram11-1, 11-3
 layout diagram11-2

POWER BOARD
 circuit diagram12-1
 layout diagram12-1

Exploded view (main set)13-1...13-2
 Mechanical partslist13-2
 Exploded view diagram (tape deck).....13-3

Electrical partslist.....14-1...14-18



© Copyright 2001 Philips Consumer Electronics B.V. Eindhoven, The Netherlands
 All rights reserved. No part of this publication may be reproduced, stored in a retrieval system or transmitted, in any form or by any means, electronic, mechanical, photocopying, or otherwise without the prior permission of Philips.

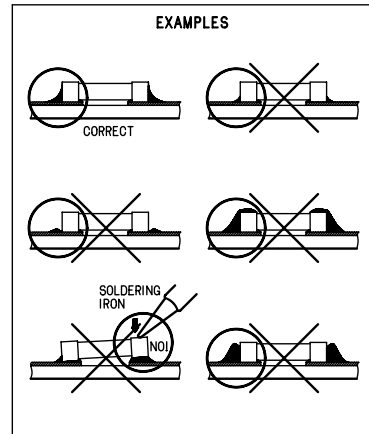
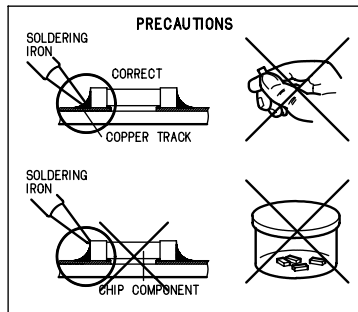
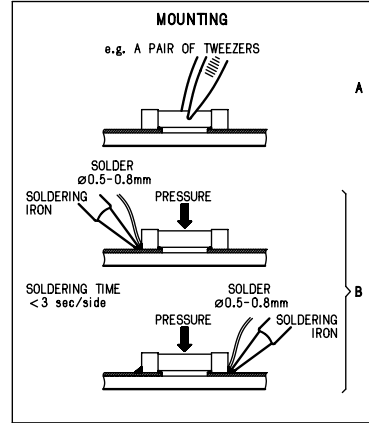
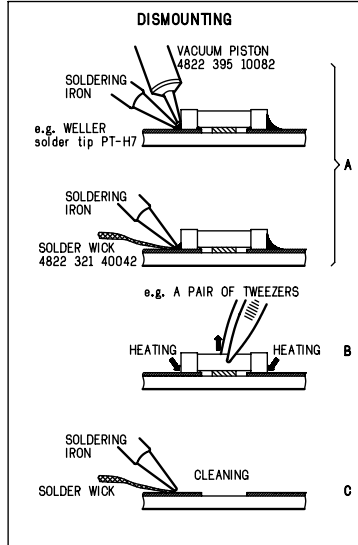
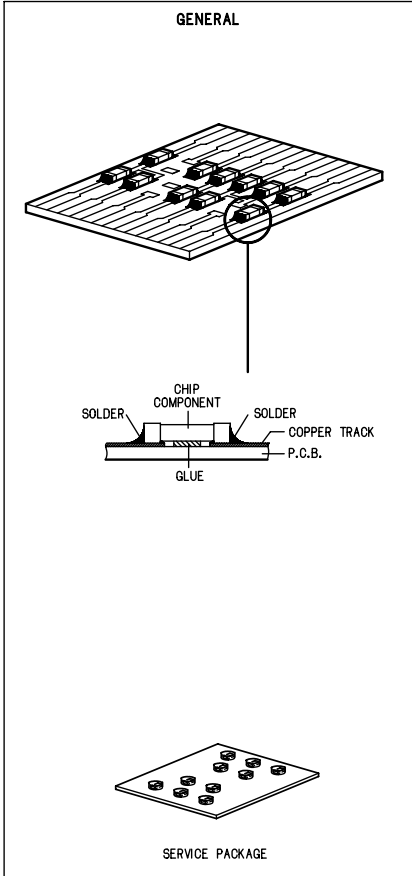
Published by YT 0142 Service Audio Printed in The Netherlands Subject to modification

GB 3140 785 22920



PHILIPS

HANDLING CHIP COMPONENTS



(GB) WARNING
 All ICs and many other semiconductors are susceptible to electrostatic discharges (ESD). Careless handling during repair can reduce life drastically. When repairing, make sure that you are connected with the same potential as the mass of the set via a wristband with resistance. Keep components and tools at this potential.



(NL) WAARSCHUWING
 Alle IC's en vele andere halfgeleiders zijn gevoelig voor electrostatische ontladingen (ESD). Onzorgvuldig behandelen tijdens reparatie kan de levensduur drastisch doen verminderen. Zorg ervoor dat u tijdens reparatie via een polsband met weerstand verbonden bent met hetzelfde potentiaal als de massa van het apparaat. Houd componenten en hulpmiddelen ook op ditzelfde potentiaal.

(F) ATTENTION
 Tous les IC et beaucoup d'autres semi-conducteurs sont sensibles aux d charges statiques (ESD). Leur long vite pourrait tre consid rablement court e par le fait qu'aucune pr caution n st prise leur manipulation. Lors de r parations, s=assurer de bien tre reli au m me potentiel que la masse de l=appareil et enfilez le bracelet serti d'une r sistance de s curit . Veillez ce que les composants ainsi que les outils que l=on utilise soient galemment ce potentiel.

(D) WARNUNG
 Alle ICs und viele andere Halbleiter sind empfindlich gegen ber elektrostatischen Entladungen (ESD). Unsorgf ltige Behandlung im Reparaturfall kann die Lebensdauer drastisch reduzieren. Sorgen Sie dar f r, daS Sie im Reparaturfall ber ein Puls- armband mit Widerstand mit dem Massepotential des Ger tes verbunden sind. Halten Sie Bauteile und Hilfsmittel ebenfalls auf diesem Potential.

(I) AVVERTIMENTO
 Tutti IC e parecchi semi-conduttori sono sensibili alle scariche statiche (ESD). La loro longevit potrebbe essere fortemente ridatta in caso di non osservazione della pi grande cauzione alla loro manipolazione. Durante le riparazioni occorre quindi essere collegato allo stesso potenziale che quello della massa del pparecchio tramite un braccialeto a resistenza. Assicurarsi che i componenti e anche gli utensili con quali si lavora siano anche a questo potenziale.

(GB) SAFETY
 Safety regulations require that the set be restored to its original condition and that parts which are identical with those specified be used. Safety components are marked by the symbol ▲



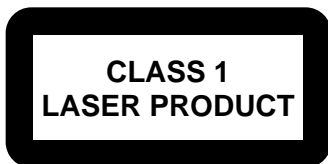
(F) SURETE
 Les normes de s curit exigent que l'appareil soit remis l' tat d'origine et que soient utilis es les pi ces de rechange identiques celles sp cifi es. Les composants de s curit sont marqu s ▲

(D) SICHERHEIT
 Bei jeder Reparatur sind die geltenden Sicherheitsvorschriften zu beachten. Der Originalzustand des Ger tes darf nicht ver ndert werden. F r Reparaturen sind Original- ersatzteile zu verwenden. Sicherheitsbauteile sind durch das Symbol ▲ markiert.

(NL) VEILIGHEID
 Veiligheidsbepalingen vereisen, dat het apparaat in zijn oorspronkelijke toestand wordt teruggebracht en dat onderdelen, identiek aan de gespecificeerde, worden toegepast. De Veiligheidsonderdelen zijn aangeduid met het symbol ▲

(I) SICUREZZA
 Le norme di sicurezza estigono che l=apparecchio venga rimesso nelle condizioni originali e che siano utilizzati i pezzi di ricambiaggio identici a quelli specificati. Componenty di sicurezza sono marcati con ▲

DANGER: Invisible laser radiation when open. AVOID DIRECT EXPOSURE TO BEAM.



(S) Varning !
 Osynlig laserstr lning n r apparaten r pppnad och sp rren r urkopplad. Betrakta ej str len.

(GB) SAFETY
 After servicing and before returning the set to customer perform a leakage current measurement test from all exposed metal parts to earth ground, to assure no shock hazard exists. The leakage current must not exceed 0.5mA.

(DK) Advarsel !
 Usynlig laserstr lning ved bning n r sikkerhedsafbrydere er ude af funktion. Undg udsatelse for str lning.

(FIN) Varoitus !
 Avatussa laitteessa ja suojalukituksen ohitettaessa olet alttiina n kym tt m lle laseris teilylle. l katso teeseen !

(F) SURETE
 "Pour votre s curite, ces documents doivent tre utilis s par des sp cialistes agr s, seuls habitit s r parer votre appareil en panne".

TECHNICAL SPECIFICATIONS

GENERAL

Mains voltage	-/21/21M : 120 / 230 V
	-/22/30/33 : 230 V
Mains frequency	-/22/30/33 : 50 Hz
	-/21/21M : 50 / 60 Hz
Battery	remote : 3 V (R6 x 2)
Power consumption	normal : 60 W
	Standby : 3 W
Dimension (W x H x D)	: 223 x 140 x 247 mm
Weight	: 5.6 Kg

AMPLIFIER

Output power	mains : 2 x 8 W
Speaker impedance	: 2 x 8 ohm
Frequency response	: 100 Hz - 10 kHz (± 4 dB)

TUNER - FM SECTION

Tuning range	: 87.5 - 108 MHz
IF frequency	: 10.7 MHz \pm 0.02 MHz
Sensitivity	: 16 dBf at 26dB S/N
Selectivity	300kHz : 55 dB
IF suppression	: 85 dB
Image suppression	: 40 dB
Channel separation	1kHz : 28 dB

TUNER - AM SECTION

Tuning range	MW : 531 - 1602 kHz
Tuning range	LW : 153 - 279 kHz
IF frequency	: 450 kHz \pm 1 kHz
Sensitivity	MW : \leq 3.5 mV/m at 26dB S/N
	LW : \leq 4.2 mV/m
Selectivity	MW : $<$ 22 dB
	LW : $<$ 35 dB
IF rejection	MW : $<$ 64 dB
Spurious rejection ratio	MW : $<$ 58 dB
	LW : $<$ 51 dB
Image rejection ratio	MW : $<$ 40 dB
	LW : $<$ 47 dB

AUDIO CASSETTE RECORDER

Frequency response	: 80 - 12500 Hz
Wow & flutter	: 0.4 % (DIN)
Tape speed	: 4.76 cm/s \pm 2 %
Channel difference	1kHz : 0 dB
S/N ratio (unw.)	Ferro : 47 dB
	Chrome : 50 dB
S/N ratio (wght.)	Ferro : 52 dB
	Chrome : 56 dB

COMPACT DISC

Frequency response	: 20Hz – 20kHz within 1.5dB
S/N ratio (unw.)	: $>$ 85 dB
S/N ratio (A-wght.)	: $>$ 90 dB
THD+N	1 kHz : $>$ 72 dB
Channel crosstalk	: $>$ 50 dB
Channel unbalance	: $<$ \pm 1 dB

SERVICE TOOLS

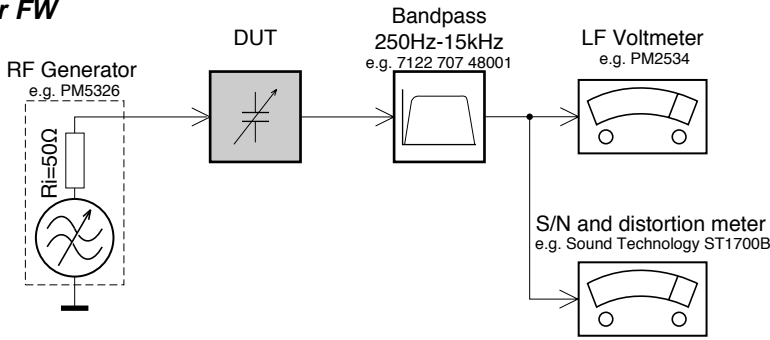
TORX T10 screwdriver with shaftlength 150mm.....	4822 395 50423
TORX screwdriver set SBC 163.....	4822 295 50145
Audio signal disc SBC 429.....	4822 397 30184
Playability test disc SBC 444.....	4822 397 30245
Test disc 5 (disc without errors) +	
Test disc 5A (disc with dropout errors, black spots and fingerprints)	
SBC 426/426A.....	4822 397 30096
Burn in test disc (65 min. 1kHz signal at -30 dB level without "pause").....	4822 397 30155
Universal test cassette Fe SBC 420.....	4822 397 30071

AVAILABLE ESD PROTECTION EQUIPMENT

anti-static table mat large 1200x650x1.25mm	4822 466 10953
small 600x650x1.25mm	4822 466 10958
anti-static wristband	4822 395 10223
connection box (3 press stud connections, 1M Ω)	4822 320 11307
extendible cable (2m, 2M Ω , to connect wristband to connection box)	4822 320 11305
connecting cable (3m, 2M Ω , to connect table mat to connection box)	4822 320 11306
earth cable (1M Ω , to connect any product to mat or to connection box)	4822 320 11308
KIT ESD3 (combining all 6 prior products - small table mat)	4822 310 10671
wristband tester	4822 344 13999

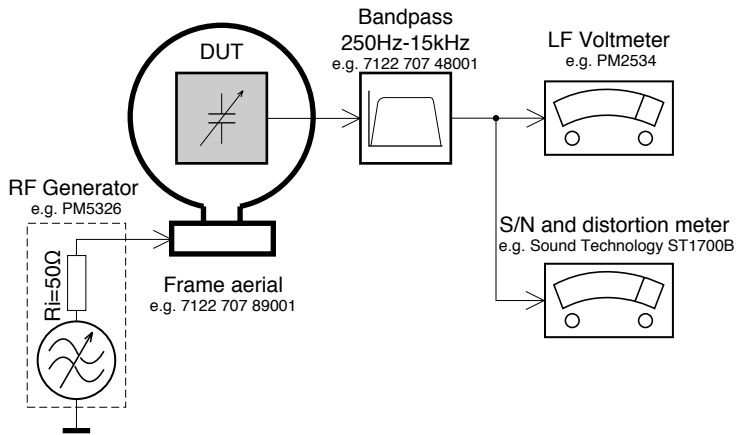
SERVICE MEASUREMENT

Tuner FW



Use a bandpass filter to eliminate hum (50Hz, 100Hz) and disturbance from the pilotone (19kHz, 38kHz).

Tuner AM (MW,LW)



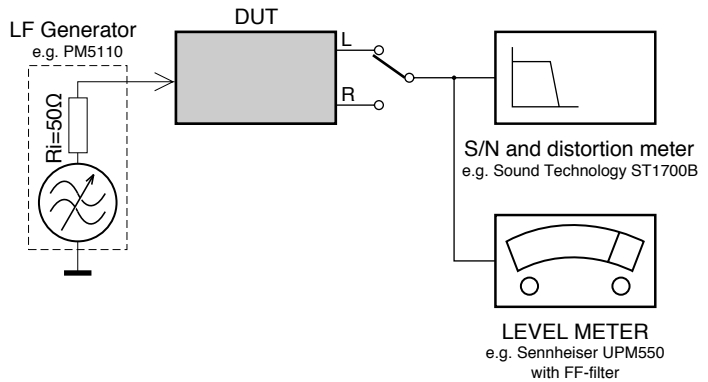
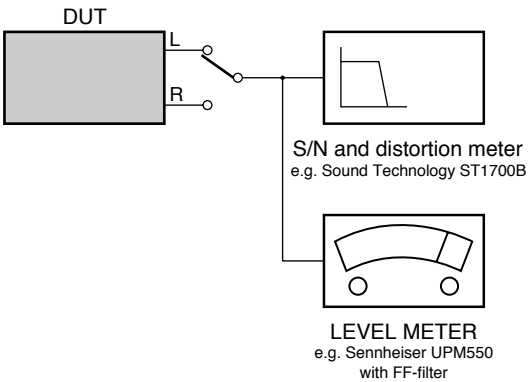
To avoid atmospheric interference all AM-measurements have to be carried out in a Faraday's cage. Use a bandpass filter (or at least a high pass filter with 250kHz) to eliminate hum (50Hz, 100Hz).

CD

Use Audio Signal Disc SBC429 4822 397 30184
(replaces test disc 3)

RECORDER

Use Universal Test Cassette Fe SBC420 4822 397 30071



CONNECTION AND CONTROLS

Controls

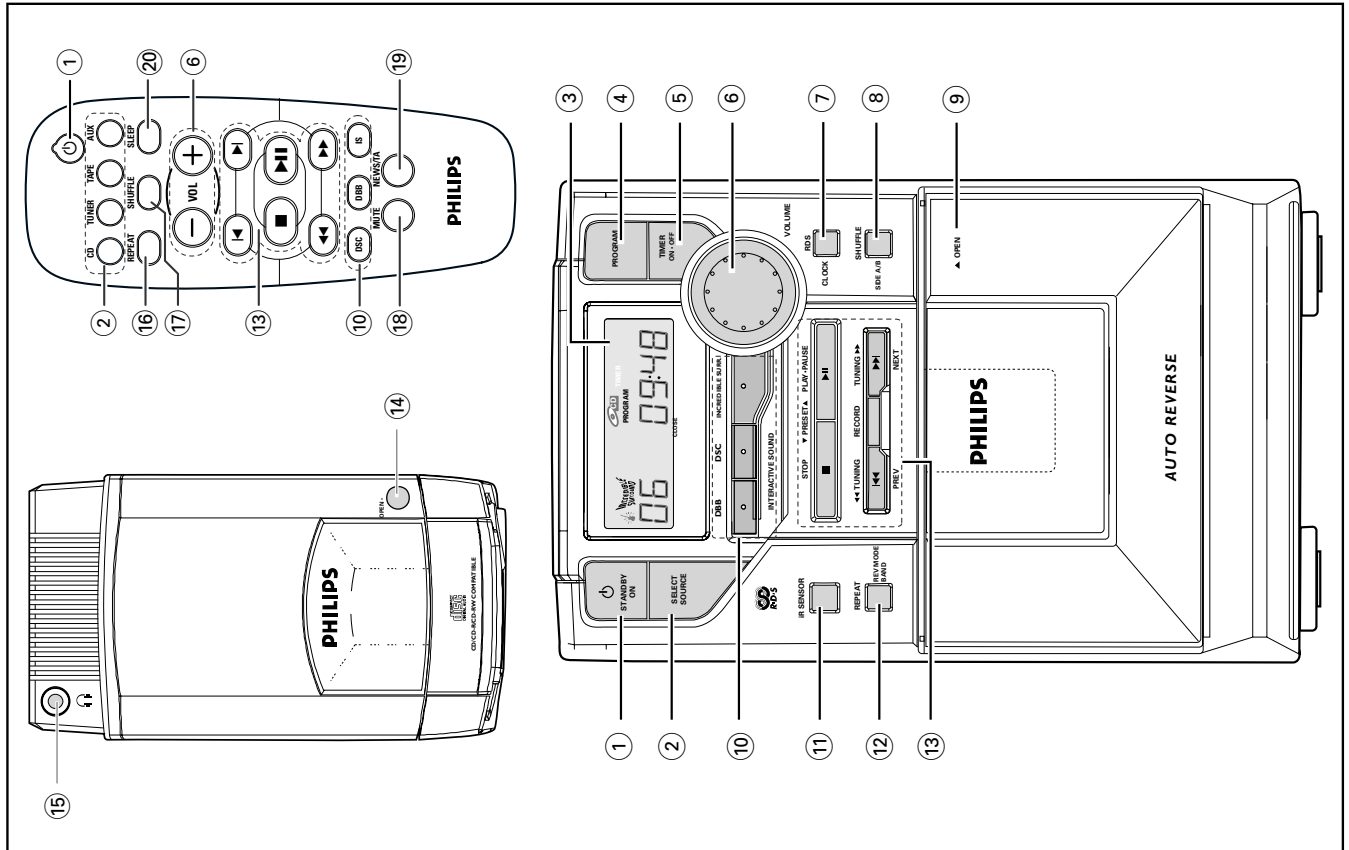
Controls on the system and remote control

- ① **STANDBY ON** \odot
switches the system to standby/on.
on the remote control only - switches the system to standby.
- ② **SELECT SOURCE**
selects the respective sound source for CD/TUNER/TAPE/AUX.
- switches on the system.
- ③ **Display**
shows the status of the system.
- ④ **PROGRAM**
for CD programmes tracks and reviews the programme.
for Tuner programmes tuner stations manually or automatically.
- ⑤ **TIMER ON-OFF**
activates/deactivates or sets the timer function.
- ⑥ **VOLUME (VOL -/+)**
adjusts the volume level.
on the system only - adjusts the hour and minutes for the clock/timer functions.
- ⑦ **CLOCK / RDS**
for Tuner displays RDS information.
for Clock sets the clock function.
- ⑧ **SHUFFLE**
plays CD tracks in random order.
- ⑨ **INTERACTIVE SOUND controls:**
DBB (Dynamic Bass Boost) enhances the bass.
DSC (Digital Sound Control) selects sound characteristics: OPTIMAL/ROCK/JAZZ/POP.
- ⑩ **INCREDIBLE SURR.**
(IS) creates a super-enhanced stereo effect.
- ⑪ **IR SENSOR**
infrared sensor for remote control.
- ⑫ **REPEAT / BAND**
for CD repeats a track/CD programme/entire CD.
for Tuner selects waveband.

- ⑬ **Mode Selection**
STOP \blacksquare stops CD playback or erase a CD programme.
PLAY-PAUSE $\blacktriangleright \parallel$ starts or interrupts CD playback.
- PRESET** $\blacktriangledown \blacktriangle$
(\blacktriangleleft , \blacktriangleright) selects a preset radio station.
PREV \blacktriangleleft / **NEXT** \blacktriangleright
(\blacktriangleleft , \blacktriangleright) skips to the beginning of a current track/previous/subsequent track.
(\blacktriangleleft , \blacktriangleright) fast searches back and forward within a track/CD.
- ⑭ **TUNING** \blacktriangleleft \blacktriangleright \blacktriangleleft \blacktriangleright \blacktriangleleft \blacktriangleright
(\blacktriangleleft , \blacktriangleright) tunes to radio stations.
- ⑮ **Tape Deck Operation**
RECORD starts recording.
PLAY \blacktriangleright starts playback.
 \blacktriangleleft / \blacktriangleright fast rewinds/winds the tape.
STOP-OPEN stops the tape; opens the tape compartment.
- ⑯ **PAUSE** interrupts recording or playback.
OPEN-CLOSE
 \uparrow \downarrow opens/closes the CD door.
connect headphones.
- ⑰ **REPEAT**
repeats a track/CD programme/entire CD.
- ⑱ **MUTE**
interrupts and resumes sound reproduction.
- ⑲ **NEWS/TA**
activates RDS news and Traffic Announcement.
- ⑳ **SLEEP**
activates/deactivates or selects the sleeper time.

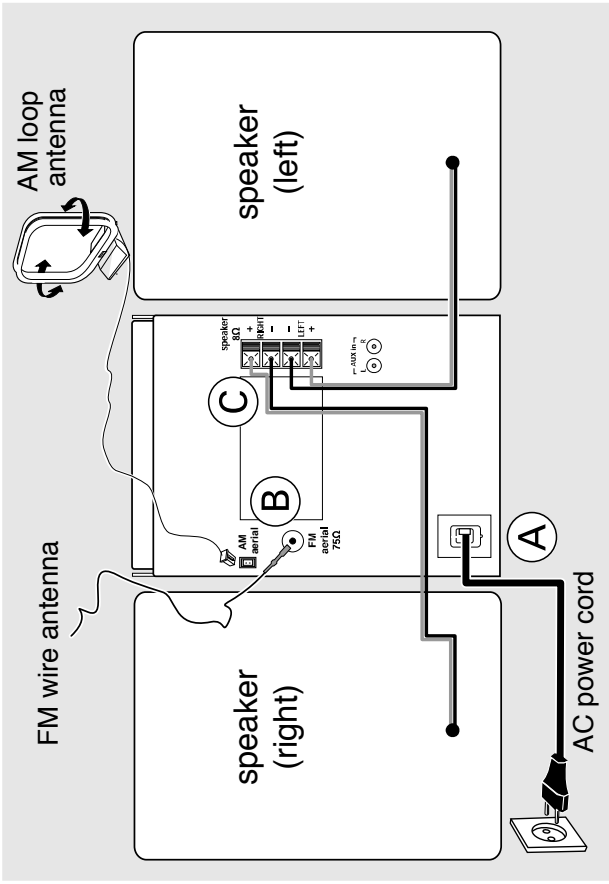
Notes for remote control:

- First select the source you wish to control by pressing one of the source select keys on the remote control (for example CD, TUNER).
- Then select the desired function (for example \blacktriangle , \blacktriangleleft , \blacktriangleright).



CONNECTION AND CONTROLS

Preparations



Rear connections

The type plate is located at the rear of the system.

A Power

Before connecting the AC power cord to the wall outlet, ensure that all other connections have been made.

WARNING!

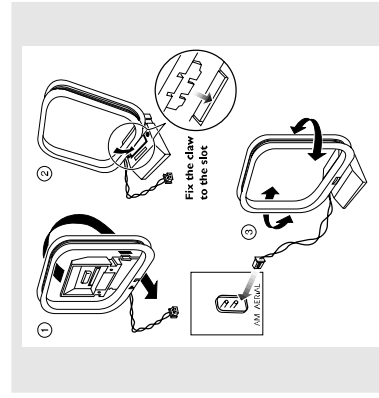
- For optimal performance, use only the original power cable.
- Never make or change any connections with the power switched on.

To avoid overheating of the system, a safety circuit has been built in. Therefore, your system may switch to Standby mode automatically under extreme conditions. If this happens, let the system cool down before reusing it (not available for all versions)

B Antennas Connection

Connect the supplied AM loop antenna and FM antenna to the respective terminals. Adjust the position of the antenna for optimal reception.

AM Antenna



- Position the antenna as far as possible from a TV, VCR or other radiation source

FM Antenna



- For better FM stereo reception, connect an outdoor FM antenna to the FM AERIAL (FM ANTENNA) terminal.

C Speakers Connection

Front Speakers

Connect the speaker wires to the SPEAKERS terminals, right speaker to "RIGHT" and left speaker to "LEFT", coloured (marked) wire to "+" and black (unmarked) wire to "-".



- Fully insert the stripped portion of the speaker wire into the terminal as shown.

Notes:

- For optimal sound performance, use the supplied speakers.
- Do not connect more than one speaker to any one pair of + / - speaker terminals.
- Do not connect speakers with an impedance lower than the speakers supplied. Please refer to the SPECIFICATIONS section of this manual.

Preparations

Optional connection

The optional equipment and connecting cords are not supplied. Refer to the operating instructions of the connected equipment for details.

Connecting other equipment to your system

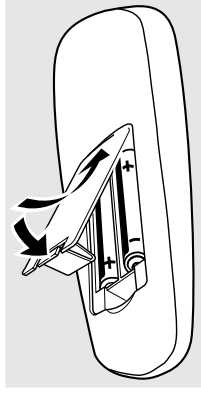
Connect the audio left and right OUT terminals of a TV/VCR, Laser Disc player, DVD player or CD Recorder to the **AUX IN** terminals.

Note:

- If you are connecting equipment with a mono output (a single audio out terminal), connect it to the **AUX IN** left terminal. Alternatively, you can use a "single to double" cinch cable (the output sound still remain mono).

Inserting batteries into the remote control

Insert two batteries (not supplied) type R03 or AAA into the remote control with the correct polarity as indicated by the "+" and "-" symbols inside the battery compartment.



CAUTION!

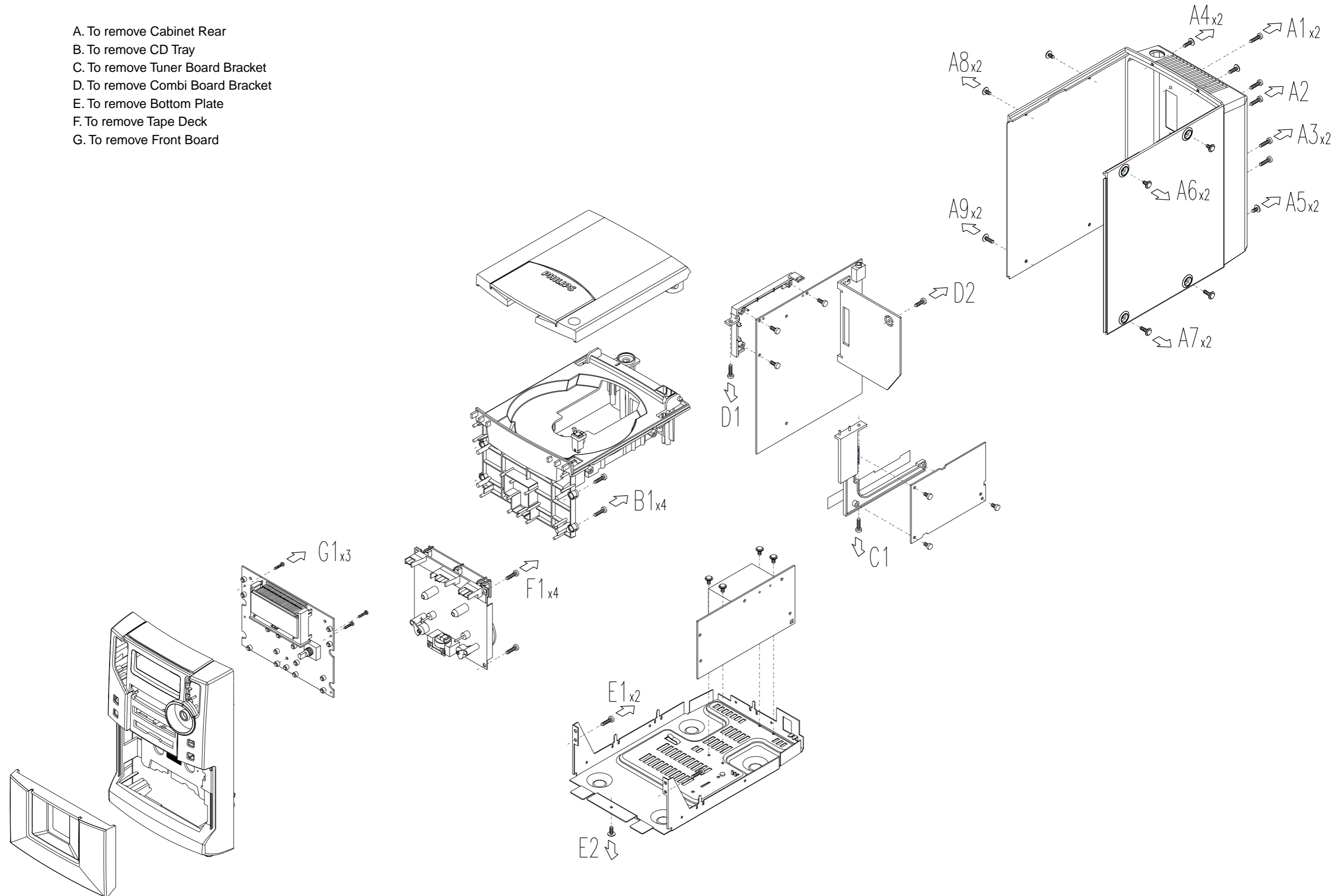
- Remove batteries if they are exhausted or will not be used for a long time.
- Do not use old and new or different types of batteries in combination.
- Batteries contain chemical substances, so they should be disposed off properly

For more information on operation instruction please visit Philips Audio internet site :

<http://www.audio.philips.com>

DISASSEMBLY DIAGRAM

- A. To remove Cabinet Rear
- B. To remove CD Tray
- C. To remove Tuner Board Bracket
- D. To remove Combi Board Bracket
- E. To remove Bottom Plate
- F. To remove Tape Deck
- G. To remove Front Board



CD SERVICE TEST PROGRAM

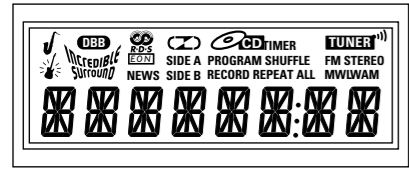
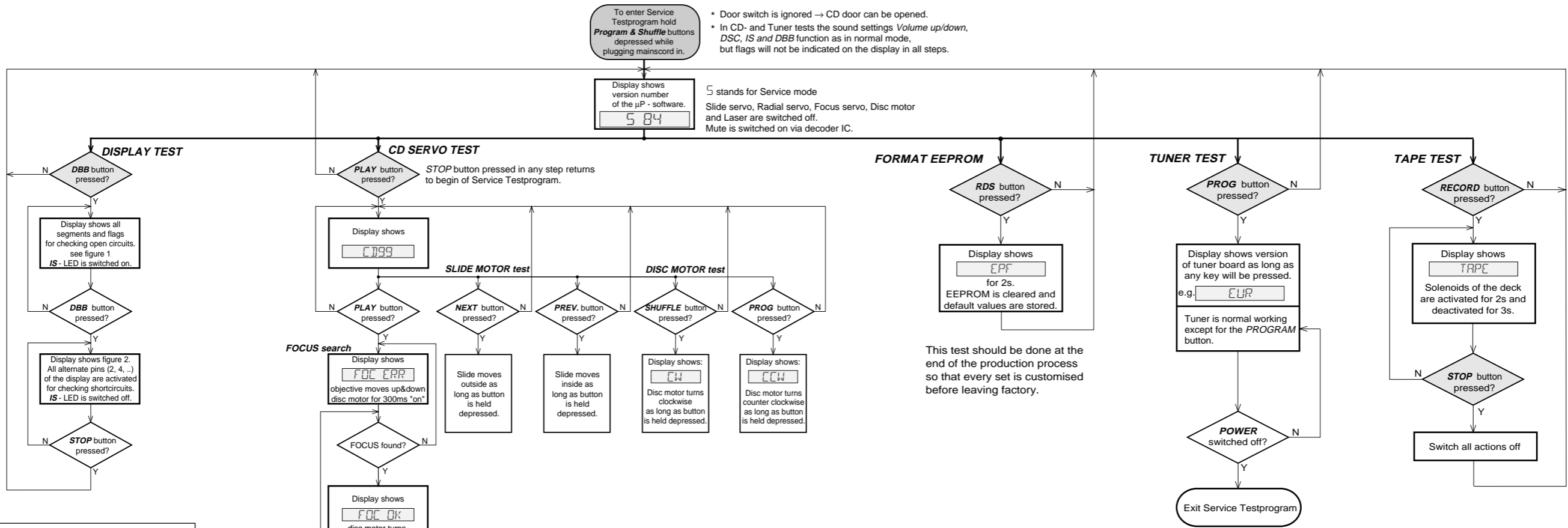


fig. 1

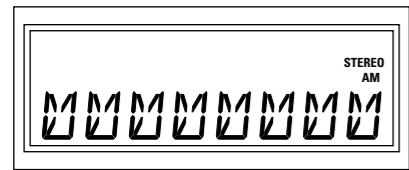


fig. 2

TUNER VERSIONS			
	EUR	USA	DSE
REGION & SET VERSIONS	EUROPE FM/MW /22/25	USA FM/MW /37	OVERSEAS FM/MW 1) Gnd switchable 100/10kHz - 50/9kHz /21/21M/30

table 2

CD ERROR CODES		
Error number	Error description	Error type
E1000	Focus error Triggered when the focus is lost during playing the CD.	W
E1001	Radial error Triggered when the radial servo is not on track for a certain time during playing the CD.	W
E1002	Slide-in error The sledge did not reach its inner position (innerswitch is closed) before approximately 6 seconds have passed by - innerswitch or sledgemotor problem.	W
E1003	Slide-out error The sledge did not come out of its inner position (innerswitch is open) before approximately 300ms have passed by - innerswitch or sledgemotor problem.	W
E1005	Jump error Triggered when the jump destination could not be found within a certain time.	W
E1006	Subcode error No valid subcode for a certain time during play.	W
E1007	PLL error The Phase-Lock-Loop could not lock within a certain time.	W
E1008	Turntable motor error Generated when the CD could not reach 75% of speed during start-up within a certain time. Discmotor problem.	W
E1020	Focus search error The focus point has not been found within a certain time.	F

table 1

1) To toggle frequency grid press **SHUFFLE** button for more than 5s in normal tuner mode (**not** in service testmode).

Display will show either **GRID 9** or **GRID 10** for 2 s.

Error type: W = Warning → set continues operation, message remains on the display until next error occurs or any key is pressed.

F = Fatal Error → set stops operation, message remains on the display.

Abbreviations and Pin-description of CD Ics

SERVO PROCESSOR SAA7 325H

SYMBOL	PIN	DESCRIPTION
HFREF	1	comparator common mode input
HFIN	2	comparator signal input
ISLICE	3	current feedback output from data slicer
V _{SSA1}	4 ⁽¹⁾	analog ground 1
V _{DDA1}	5 ⁽¹⁾	analog supply voltage 1
I _{ref}	6	reference current output pin
V _{RIN}	7	reference voltage for servo ADC's
D1	8	unipolar current input (central diode signal input)
D2	9	unipolar current input (central diode signal input)
D3	10	unipolar current input (central diode signal input)
D4	11	unipolar current input (central diode signal input)
R1	12	unipolar current input (satellite diode signal input)
R2	13	unipolar current input (satellite diode signal input)
V _{SSA2}	14 ⁽¹⁾	analog ground 2
CROUT	15	crystal/resonator output
CRIN	16	crystal/resonator input
V _{DDA2}	17 ⁽¹⁾	analog supply voltage 2
LN	18	DAC left channel differential output - negative
LP	19	DAC left channel differential output - positive
V _{neg}	20	DAC negative reference input
V _{pos}	21	DAC positive reference input
RN	22	DAC right channel differential output - negative
RP	23	DAC right channel differential output - positive
SELPLL	24	selects whether internal clock multiplier PLL is used
TEST1	25	test control input 1; this pin should be tied LOW
CL16	26	16.9344 MHz system clock output
DATA	27	serial d4(1)ata output (3-state)
WCLK	28	word clock output (3-state)
SCLK	29	serial bit clock output (3-state)
EF	30	C2 error flag output (3-state)
TEST2	31	test control input 2; this pin should be tied LOW
KILL	32	kill output (programmable; open-drain)
V _{SSD1}	33 ⁽¹⁾	digital ground 2
V2/V3	34	versatile I/O: input versatile pin 2 or output versatile pin 3 (open-drain)
WCLI	35	word clock iutput (for data loopback to DAC)
SDI	36	serial data input (for data loopback to DAC)
SCLI	37	serial bit clock input (for data loopback to DAC)
RESET	38	power-on reset input (active LOW)
SDA	39	microcontroller interface data I/O line (open-drain output)
SCL	40	microcontroller interface clock line input

Abbreviations and Pin-description of CD Ics

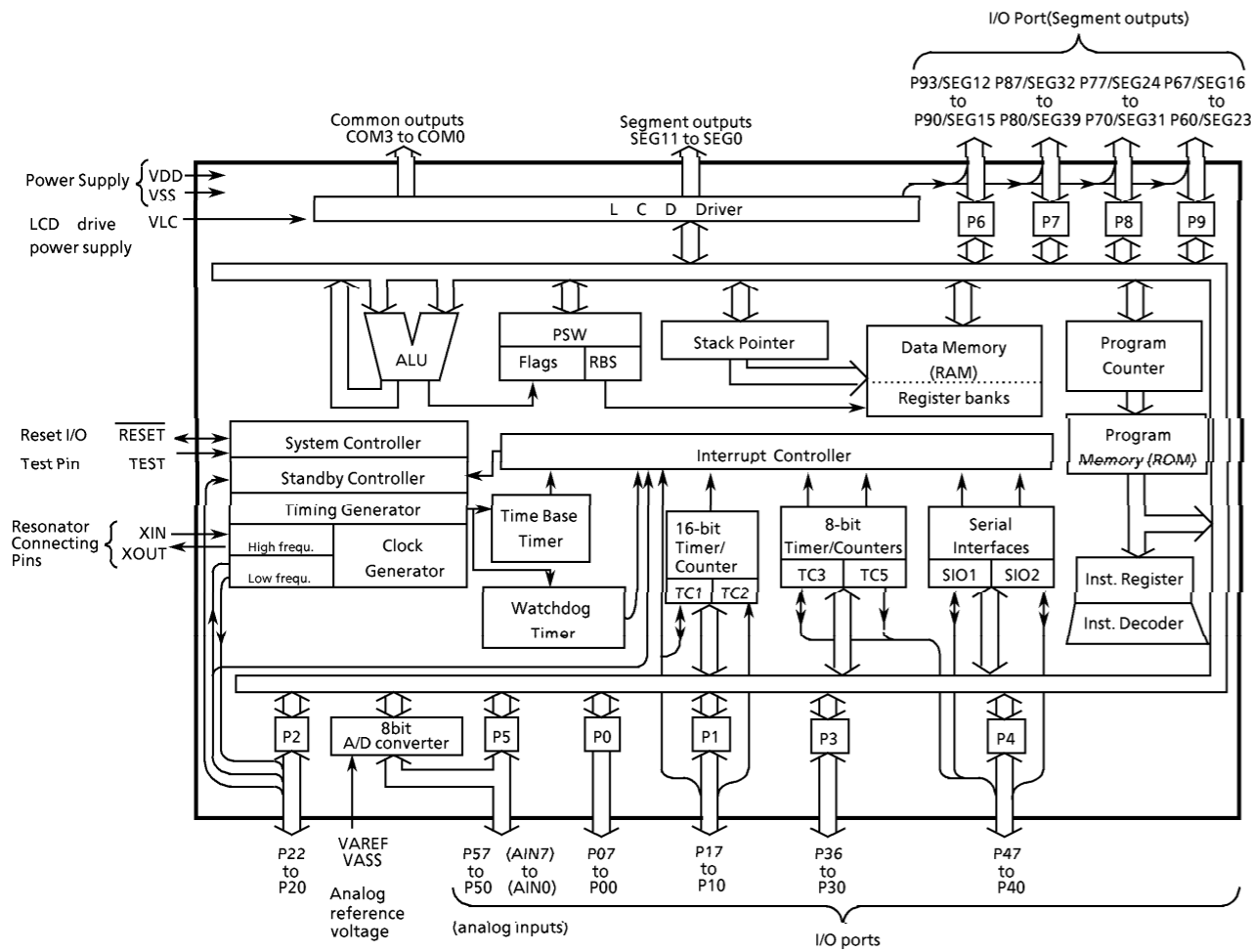
SERVO PROCESSOR SAA7 325H

SYMBOL	PIN	DESCRIPTION
RAB	41	microcontroller interface R/W and load control line input (4-wire bus mode)
SILD	42	microcontroller interface R/W and load control line input (4-wire bus mode)
STATUS	43	servo interrupt request line/decoder status register output (open-drain)
TEST3	44	test control input 3; this pin should be tied LOW
RCK	45	subcode clock input
SUB	46	P-to-W subcode bits output (3-state)
SFSY	47	subcode frame sync output (3-state)
SBSY	48	subcode block sync output (3-state)
CL11/4	49	11.2896 MHz or 4.2336 MHz (for microcontroller) clock output
V _{SSD2}	50 ⁽¹⁾	digital ground 3
DOBM	51	bi-phase mark output (externally buffered; 3-state)
V _{DD1(P)}	52 ⁽¹⁾	digital supply voltage 2 for periphery
CFLG	53	correction flag output (open-drain)
RA	54	radial actuator output
FO	55	focus actuator output
SL	56	sledge control output
V _{DD2(C)}	57 ⁽¹⁾	digital supply voltage 3 for core
V _{SSD3}	58 ⁽¹⁾	digital ground 4
MOTO1	59	motor output 1; versatile (3-state)
MOTO2	60	motor output 2; versatile (3-state)
V4	61	versatile output pin 4
V5	62	versatile output pin 5
V1	63	versatile input pin 1
LDON	64	laser drive on output (open-drain)

Note : All supply pins must be connected to the same external power supply voltage.

BLOCK DIAGRAM OF INTEGRATED CIRCUIT

IC 7 4 00 TMP87 CM23F

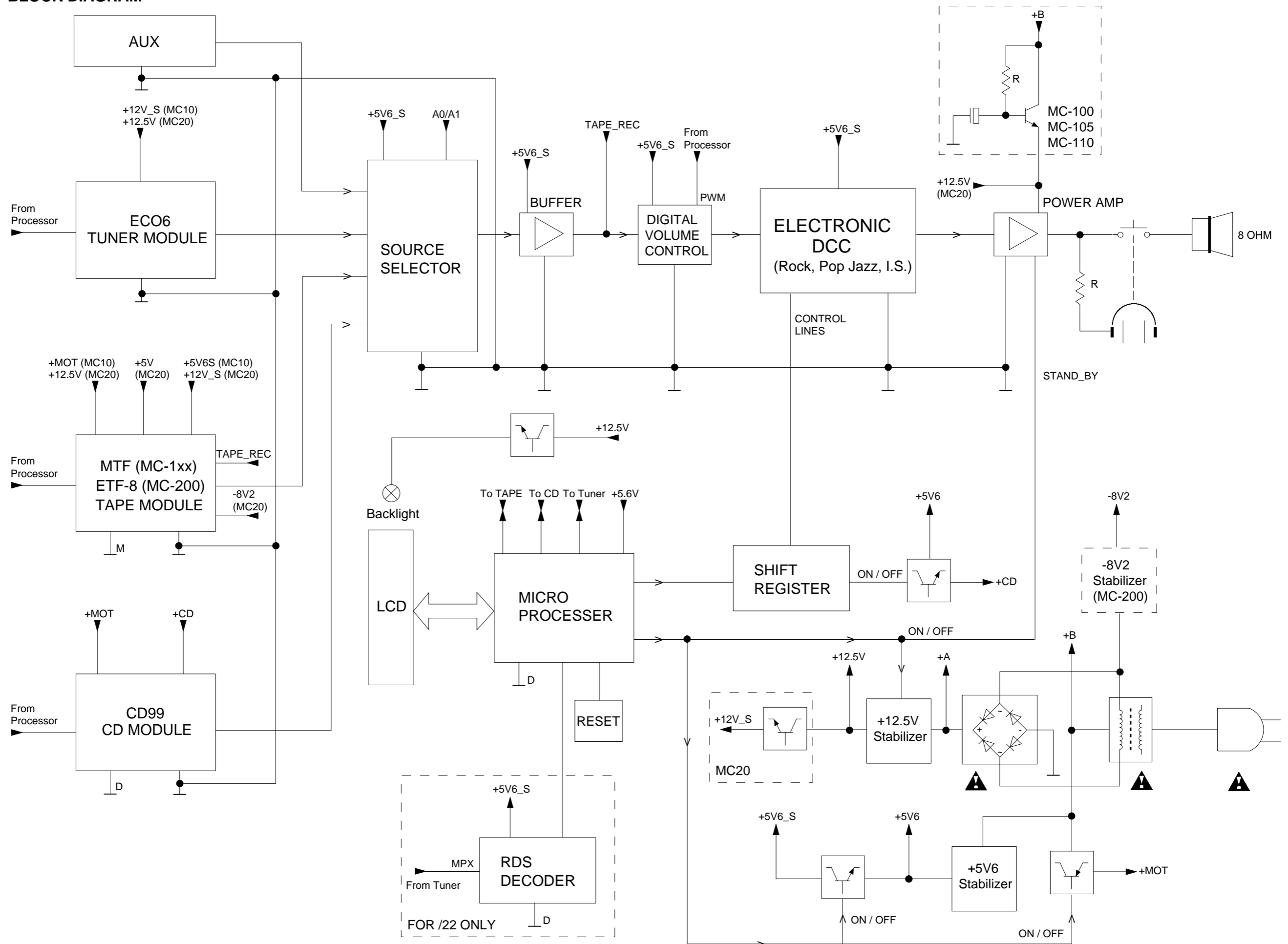


PINS DESCRIPTION OF IC 7 4 00 TMP87 CM23F

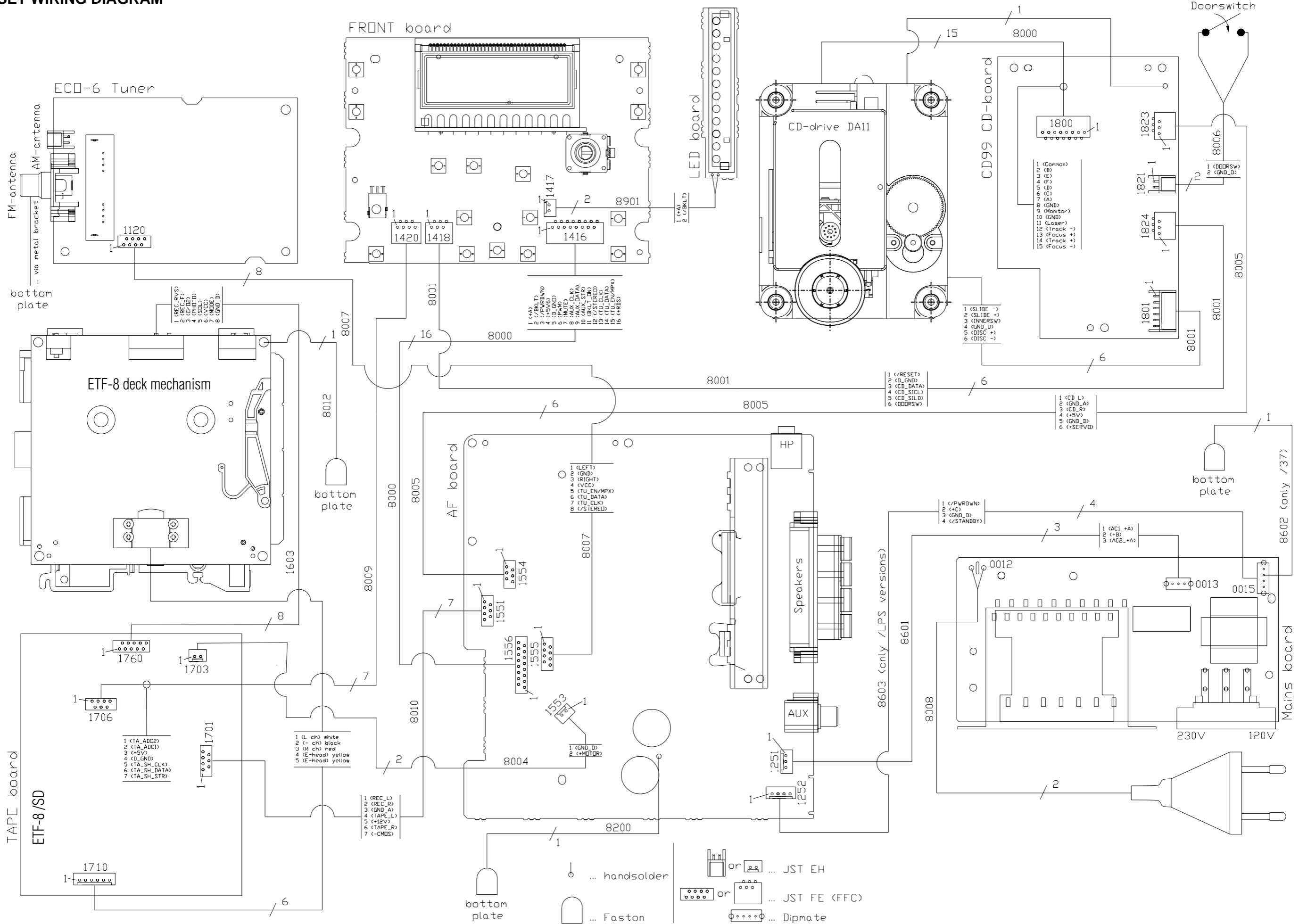
PIN FUNCTION

PIN NAME	Input / Output	FUNCTION
P07 to P00 P17, P16	I/O	8-bit programmable input/output ports (tri-state).
P15 (TC2)	I/O (Input)	Each bit of these ports can be individually configured as an input or an output under software control.
P14 (PPG)	I/O (Output)	Timer/Counter 2 input
P13 (DVO)	I/O (Output)	Programmable pulse generator output
P12 (INT2 / TC1)	I/O (Input)	Divider output
P11 (INT1)	I/O (Input)	External interrupt input 2 or Timer/Counter 1 input
P10 (INT0)	I/O (Input)	External interrupt input 1
P22 (XTOUT)	I/O (Output)	External interrupt input 0
P21 (XTIN)	I/O (Input)	3-bit input/output port with latch.
P20 (INT5 / STOP)	I/O (Input)	When used as an input port, the latch must be set to "1".
P36 to P30	I/O	7-bit input/output port with latch. When used as input port, the latch must be set to "1".
P47 (SIO2)	I/O (Output)	SIO2 serial data output
P46 (SIO1)	I/O (Input)	SIO2 serial data input
P45 (SCK2)	I/O (I/O)	When used as input port or a SIO input/output port, the latch must be set to "1".
P44 (SIO1)	I/O (Output)	SIO2 serial clock input/output
P43 (SIO0)	I/O (Input)	SIO1 serial data output
P42 (SCK1)	I/O (I/O)	SIO1 serial data input
P41 (PWM/PDO)	I/O (Output)	SIO1 serial clock input/output
P40 (INT3/TC3)	I/O (Input)	8-bit PWM output, 8-bit programmable divider output
P57 (AIN07) to P50 (AIN00)	I/O (Input)	External interrupt input 3, Timer/Counter 3 input
SEG39 (P80) to SEG32 (P87)	Output (I/O)	8-bit programmable input/output port (tri-state). Each bit of the port can be individually configured as an input or an output under software control. When used as analog input, the latch must be set to "0".
SEG31 (P70) to SEG24 (P77)	Output (I/O)	When used as an input port, the latch must be set to "1".
SEG23 (P60) to SEG16 (P67)	Output (I/O)	When used as segment output, the control register of P6, P7, P8 and P9 must be set to "1".
SEG15 (P90) to SEG12 (P93)	Output (I/O)	4-bit input/output port with latch. When used as an input port, the latch must be set to "1".
SEG11 to SEG0	Output	LCD segment outputs
COM3 to COM0	Output	LCD common outputs
XIN, XOUT	Input, Output	Resonator connecting pins for high-frequency clock. For inputting external clock, XIN is used and XOUT is opened.
RESET	I/O	Reset signal input or watchdog timer output/address-trap-reset output
TEST	Input	Test pin for out-going test. Be fixed to low.
VDD, VSS	Power Supply	+ 5 V, 0 V (GND)
VAREF, VASS	Power Supply	Analog reference voltage inputs (High, Low)
VLC		LCD drive power supply.

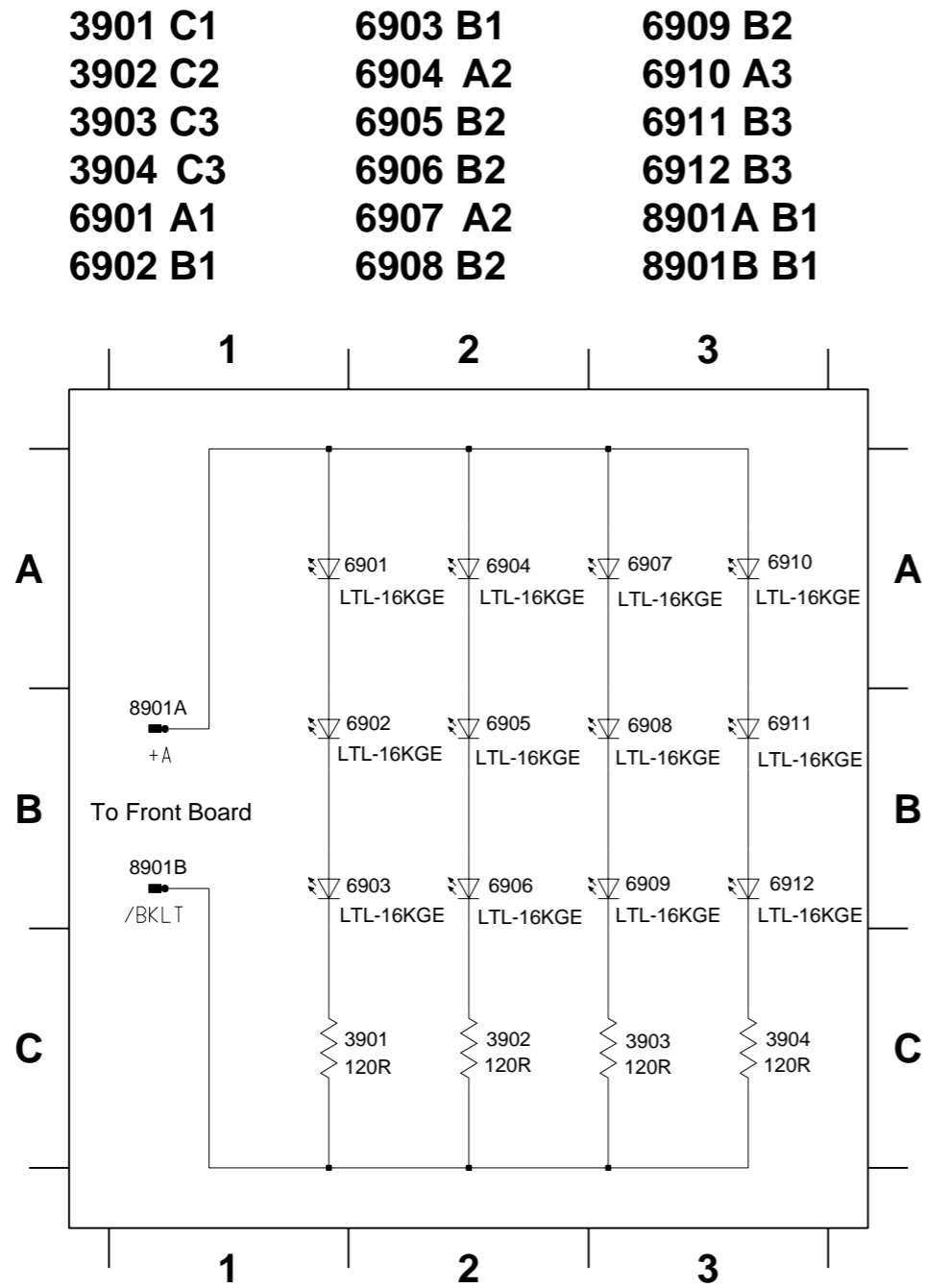
SET BLOCK DIAGRAM



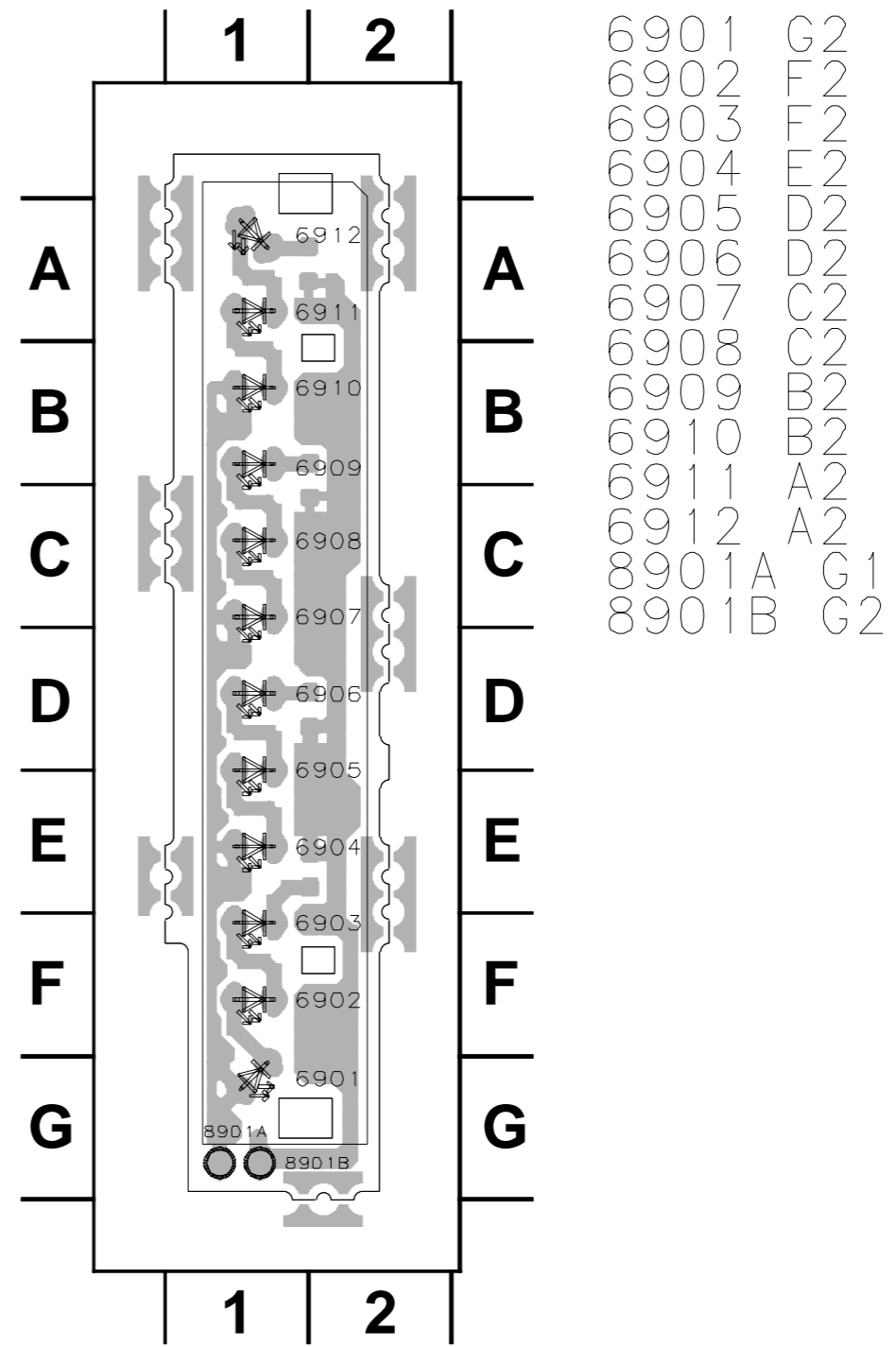
SET WIRING DIAGRAM



CIRCUIT DIAGRAM - LED BOARD



LAYOUT DIAGRAM - LED BOARD



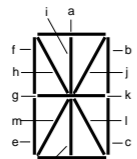
CIRCUIT DIAGRAM - FRONT BOARD

0001 F15	1406 I8	1413 I5	1425 A5	2406 E5	2413 F6	2420 H1	2427 I2	2434 B13	2441 D13	2448 G13	3403 E5	3410 H4	3417 H10	3424 I10	3431 I7	3438 I12	3445 G1	3452 A13	3459 C13	3466 F9	3473 F9	3480 F14	3487 G14	3494 D11	4401 I9	6401 B14	9400 F1	T406 C14	T413 D14	T426 F14	T441 A11	T448 H5	
1400 H11	1407 I8	1414 I4	2400 B11	2407 F5	2414 G6	2421 I7	2428 I3	2435 D12	2442 F12	2449 H13	3404 E5	3411 H6	3418 D11	3425 I9	3432 I6	3439 F9	3446 G1	3453 E11	3460 F8	3467 C13	3474 E14	3481 E11	3488 D11	3495 G13	5400 A10	7400 D8	9401 A11	T407 C14	T414 D14	T421 E14	T431 G14	T442 B11	T449 H10
1401 H10	1408 I7	1415 I12	2401 B11	2408 F4	2415 F6	2422 I12	2429 I3	2436 D12	2443 F13	2450 H13	3405 F4	3412 H5	3419 D11	3426 I9	3433 I6	3440 F7	3447 A14	3454 A14	3461 C14	3468 F9	3475 D11	3482 F14	3489 G14	3496 G13	5401 C11	7402 F5	T401 B14	T408 C14	T415 E14	T422 E14	T432 G14	T443 F6	T451 A10
1402 H10	1409 I6	1416 B15	2402 B9	2409 F4	2416 F6	2423 I12	2430 A14	2437 D13	2444 F13	2451 H13	3406 F4	3413 F7	3420 H11	3427 I8	3434 I5	3441 F7	3448 A14	3455 F8	3462 F9	3469 C14	3476 E14	3483 E13	3490 C11	3497 F8	5402 F5	7403 G6	T402 B14	T409 C14	T422 E14	T433 G14	T444 F6	T452 A10	
1403 I9	1410 I6	1417 D15	2403 B10	2410 F5	2417 H4	2424 F1	2431 B12	2438 D13	2445 F13	2452 H13	3407 F5	3414 F9	3421 H11	3428 I8	3435 I5	3442 E3	3449 A14	3456 B13	3463 C13	3470 F7	3477 E11	3484 E11	3491 G13	3498 G8	5403 F6	7404 H5	T403 B14	T410 C14	T423 E14	T434 G14	T445 G4	T453 H4	
1404 I9	1411 I6	1418 E15	2404 C11	2411 F5	2418 H5	2425 G1	2432 B13	2439 D13	2446 F13	2453 H13	3408 G6	3415 H8	3422 H11	3429 I7	3436 I5	3443 F3	3450 F8	3457 A13	3464 F9	3471 D14	3478 E14	3485 F14	3492 D11	3499 G3	5404 G1	7405 H9	T404 B14	T411 C14	T424 F14	T435 G14	T446 G4	T454 H4	
1405 I8	1412 I5	1420 G15	2405 C11	2412 F6	2419 H9	2426 G1	2433 B13	2440 D13	2447 G12	2454 H13	3409 F7	3416 H8	3423 H10	3430 I7	3437 I12	3444 F1	3451 A13	3458 F9	3465 C14	3472 D13	3479 E11	3486 D11	3493 G14	4400 H9	6400 A11	7406 F2	T405 C14	T412 D14	T425 F14	T436 H14	T447 G4	T455 H4	

FRONT BOARD

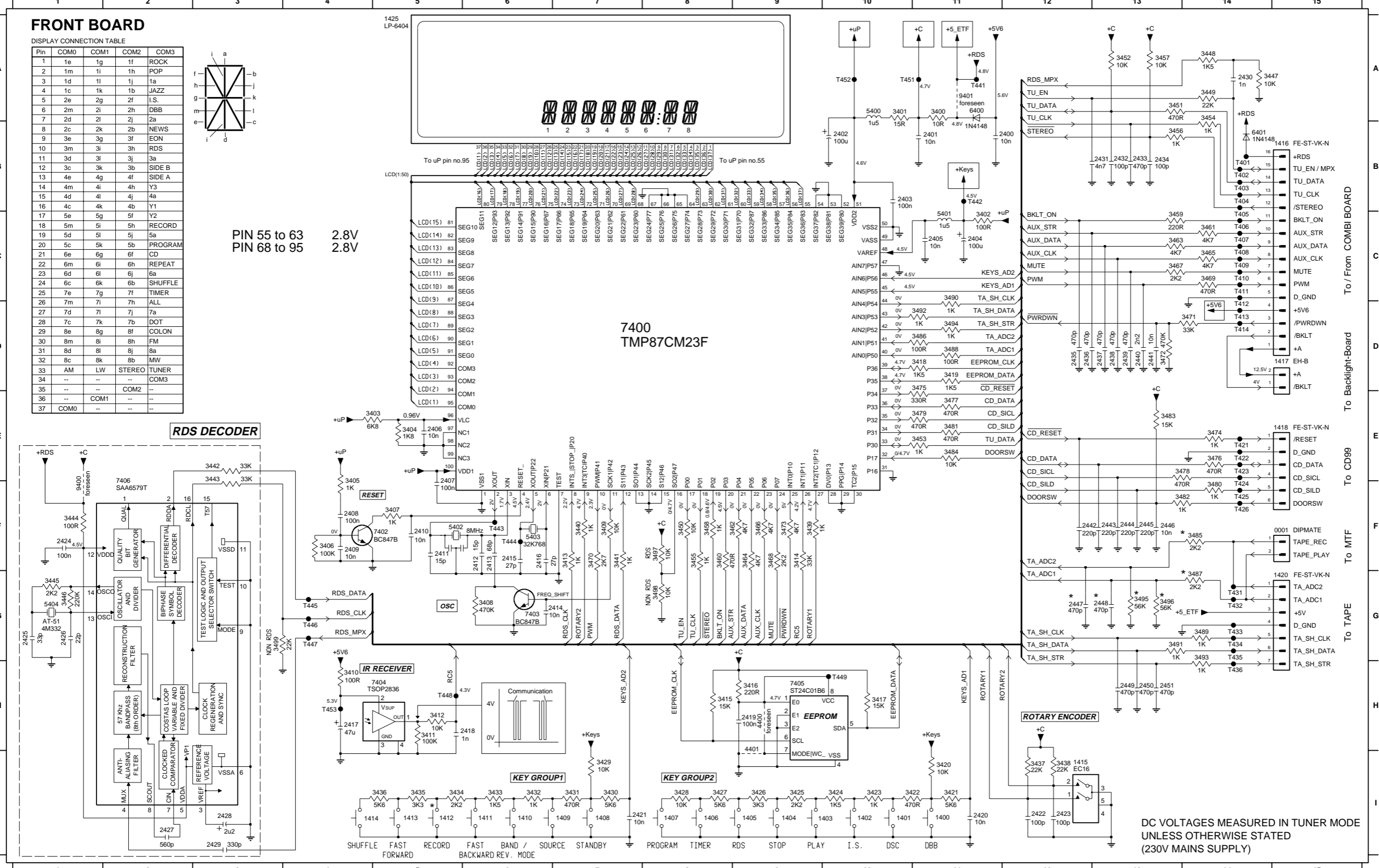
DISPLAY CONNECTION TABLE

Pin	COM0	COM1	COM2	COM3
1	1e	1g	1f	ROCK
2	1m	1i	1h	POP
3	1d	1j	1a	
4	1c	1k	1b	JAZZ
5	2e	2g	2f	I.S.
6	2m	2i	2h	DBB
7	2d	2j	2a	
8	2c	2k	2b	NEWS
9	3e	3g	3f	EON
10	3m	3i	3h	RDS
11	3d	3j	3a	
12	3c	3k	3b	SIDE B
13	4e	4g	4f	SIDE A
14	4m	4i	4h	Y3
15	4d	4j	4a	
16	4c	4k	4b	Y1
17	5e	5g	5f	Y2
18	5m	5i	5h	RECORD
19	5d	5j	5a	
20	5c	5k	5b	PROGRAM
21	6e	6g	6f	CD
22	6m	6i	6h	REPEAT
23	6d	6j	6a	
24	6c	6k	6b	SHUFFLE
25	7e	7g	7f	TIMER
26	7m	7i	7h	ALL
27	7d	7j	7a	
28	7c	7k	7b	DOT
29	8e	8g	8f	COLON
30	8m	8i	8h	FM
31	8d	8j	8a	
32	8c	8k	8b	MW
33	AM	LW	STEREO	TUNER
34	--	--	--	COM3
35	--	--	--	COM2
36	--	COM1	--	--
37	COM0	--	--	--



PIN 55 to 63 2.8V
PIN 68 to 95 2.8V

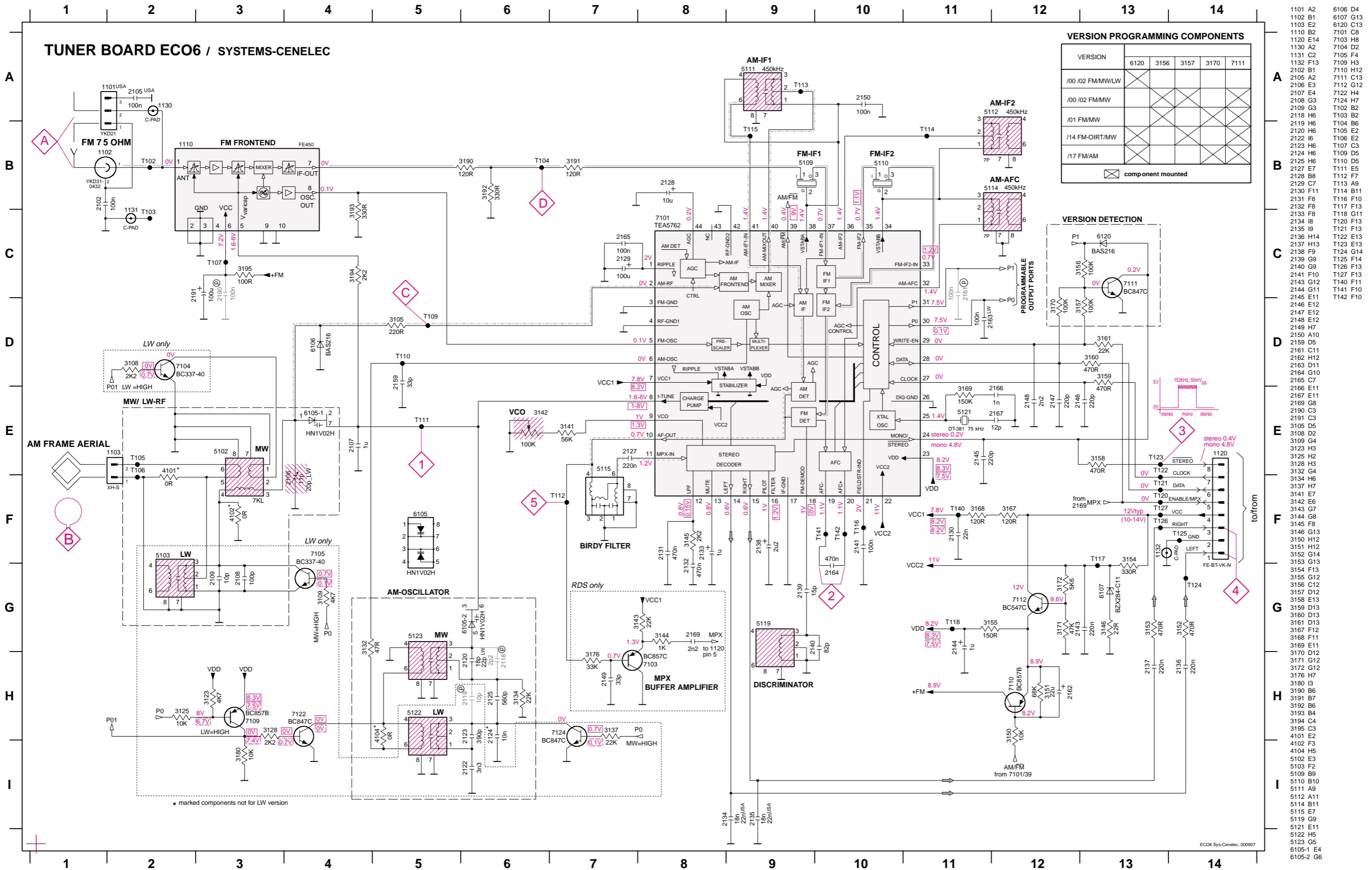
7400 TMP87CM23F



DC VOLTAGES MEASURED IN TUNER MODE
UNLESS OTHERWISE STATED
(230V MAINS SUPPLY)

ITEM MODEL	1412	2447	2448	3485	3487	3495	3496
MC-1xx				2K2	2K2	56K	56K
MC-200		470p	470p	3K9	3K9		150K

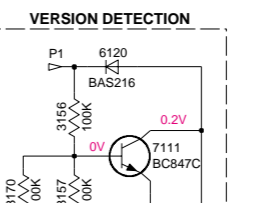
CIRCUIT DIAGRAM - ECO6 SYSTEM CENELEC BOARD



VERSION PROGRAMMING COMPONENTS

VERSION	6120	3156	3157	3170	7111
/00 /02 FM/MW/LW	X				
/00 /02 FM/MW		X			
/01 FM/MW			X		
/14 FM-OIRT/MW				X	
/17 FM/AM					X

⊗ component mounted



- 1101 A2
- 1102 B1
- 1103 E2
- 1110 B2
- 1120 E14
- 1130 A2
- 1131 C2
- 1132 F13
- 2102 B1
- 2105 A2
- 2106 E3
- 2107 E4
- 2108 G3
- 2109 G3
- 2118 H6
- 2119 H6
- 2120 H6
- 2122 I6
- 2123 H6
- 2124 H6
- 2125 H6
- 2127 E7
- 2128 B8
- 2129 C7
- 2130 F11
- 2131 F8
- 2132 F8
- 2133 F8
- 2134 I8
- 2135 I9
- 2136 H14
- 2137 H13
- 2138 F9
- 2139 G9
- 2140 G9
- 2141 F10
- 2143 G11
- 2144 G12
- 2145 E11
- 2146 E12
- 2147 E12
- 2148 E12
- 2149 H7
- 2150 A10
- 2159 D5
- 2161 C11
- 2162 H12
- 2163 D11
- 2164 G10
- 2165 C7
- 2166 E11
- 2167 E11
- 2169 G8
- 2190 C3
- 2191 C3
- 3105 D5
- 3108 D2
- 3109 G4
- 3123 H3
- 3125 H2
- 3128 H3
- 3132 G4
- 3134 H6
- 3137 H7
- 3141 E7
- 3142 E6
- 3143 G7
- 3144 G8
- 3145 F8
- 3146 G13
- 3150 H12
- 3151 H12
- 3152 G14
- 3153 G13
- 3154 F13
- 3155 G12
- 3156 C12
- 3157 D12
- 3158 D13
- 3159 D13
- 3160 D13
- 3161 D13
- 3167 F11
- 3168 F11
- 3169 E11
- 3170 D12
- 3171 G12
- 3172 G12
- 3176 H7
- 3180 I3
- 3190 B6
- 3191 B7
- 3192 B6
- 3193 B4
- 3194 C4
- 3195 C3
- 4101 E2
- 4102 F3
- 4104 H5
- 5102 E3
- 5103 F2
- 5109 B9
- 5110 B10
- 5111 A9
- 5112 A11
- 5115 E7
- 5119 G9
- 5121 E11
- 5122 H5
- 5123 G5
- 6105-1 E4
- 6106 D4
- 6107 G13
- 6120 C13
- 7101 C8
- 7103 H8
- 7104 D2
- 7105 F4
- 7109 H3
- 7110 H12
- 7111 C13
- 7112 G12
- 7124 H7
- 7102 B2
- 7103 B2
- 7104 B6
- 7105 E2
- 7106 E2
- 7107 C3
- 7108 D3
- 7109 D5
- 7110 D5
- 7111 E5
- 7112 F7
- 7113 A9
- 7114 B11
- 7116 F10
- 7117 F13
- 7118 G11
- 7120 F13
- 7121 F13
- 7122 E13
- 7123 E13
- 7124 G14
- 7125 F14
- 7126 F13
- 7127 F13
- 7140 F11
- 7141 F10
- 7142 E12
- 7143 F10
- 7144 F10
- 7145 E12
- 7146 E12
- 7147 E12
- 7148 E12
- 7149 H7
- 7150 A10
- 7159 D5
- 8105 D11
- 8106 H12
- 8107 D10
- 8108 D10
- 8109 G2
- 8110 G4
- 8123 H3
- 8125 H3
- 8128 H3
- 8132 G4
- 8134 H6
- 8137 H7
- 8141 E7
- 8142 E6
- 8143 G7
- 8144 G8
- 8145 F8
- 8146 G13
- 8150 H12
- 8151 H12
- 8152 G14
- 8153 G13
- 8154 F13
- 8155 G12
- 8156 C12
- 8157 D12
- 8158 D13
- 8159 D13
- 8160 D13
- 8161 D13
- 8167 F11
- 8168 F11
- 8169 E11
- 8170 D12
- 8171 G12
- 8172 G12
- 8176 H7
- 8180 I3
- 8190 B6
- 8191 B7
- 8192 B6
- 8193 B4
- 8194 C4
- 8195 C3
- 4101 E2
- 4102 F3
- 4104 H5
- 5102 E3
- 5103 F2
- 5109 B9
- 5110 B10
- 5111 A9
- 5112 A11
- 5115 E7
- 5119 G9
- 5121 E11
- 5122 H5
- 5123 G5
- 6105-1 E4
- 6105-2 G6

LEGEND
 * ... only assembled in FM/AM-version
 (P) ... for provision only
 USA ... for USA version only
 LW ... for LW version only

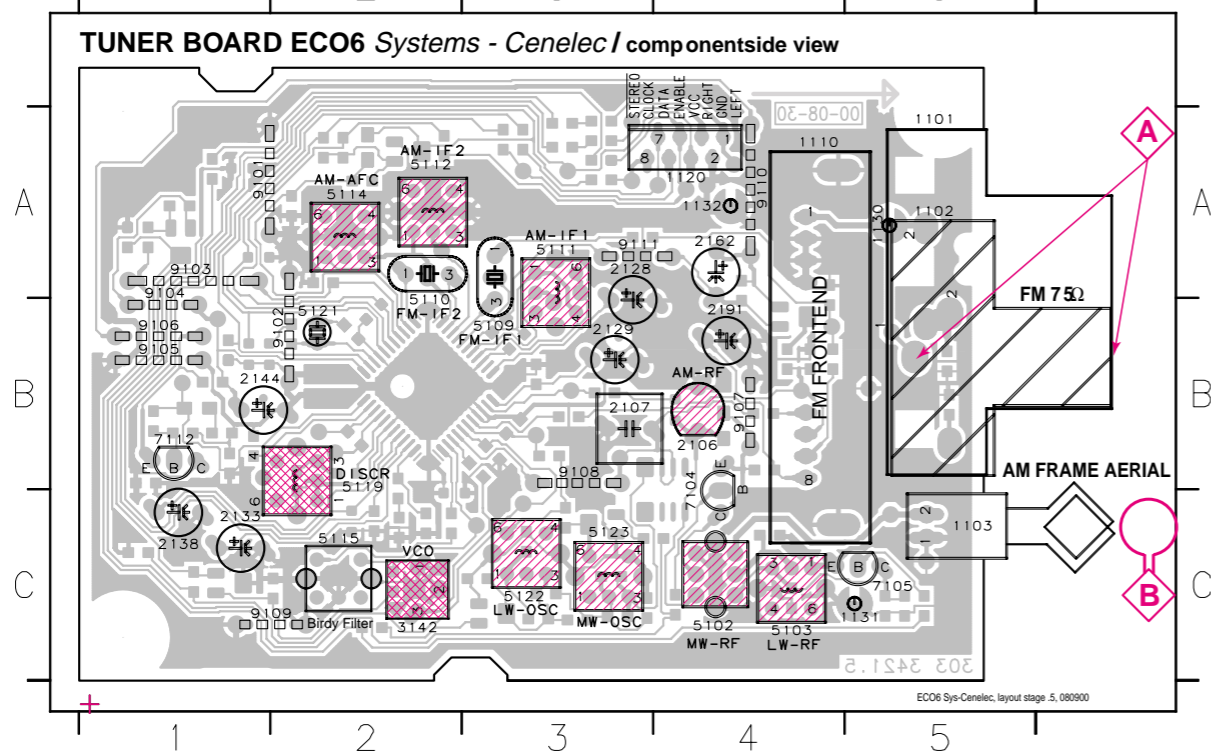
SMD jumper
 41xx
 OR

...V FM mode stereo
 ...V MW mode
 ...V LW mode
 voltages measured while set is tuned to a strong transmitter

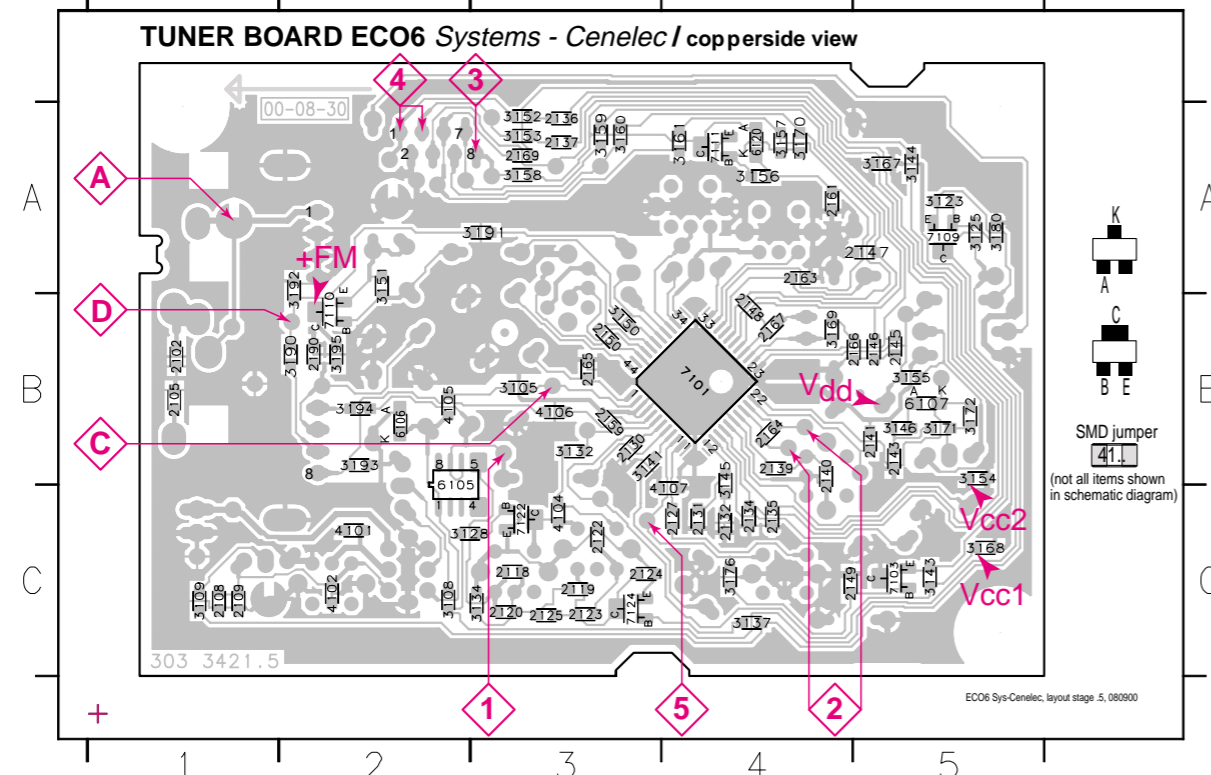
Signal path
 — FM
 - - - AM
 - - - MPX (Audio Frequency)
 ⇨ AF - left/right

LAYOUT DIAGRAM - ECO6 SYSTEM CENELEC BOARD

1101 B5 1110 B4 1131 C5 2107 B3 2133 C1 2162 A4 5102 C4 5110 A2 5114 A2 5121 B2 7104 C4 9101 A2 9104 B1 9107 B4 9110 A4
 1102 B5 1120 A4 1132 A4 2128 A3 2138 B1 2191 B4 5103 C4 5111 A3 5115 C2 5122 C3 7105 C5 9102 B2 9105 B1 9108 B3 9111 A3
 1103 C5 1130 A5 2106 B4 2129 B3 2144 B1 3142 C2 5109 B3 5112 A2 5119 B2 5123 C3 7112 B1 9103 A1 9106 B1 9109 C2

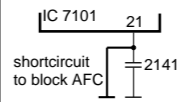
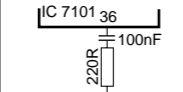
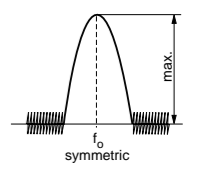
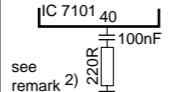
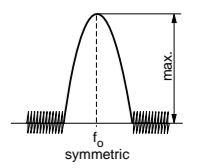


2102 B1 2120 C3 2130 B3 2137 A3 2146 B5 2161 A4 2169 A3 3125 A5 3143 C5 3152 A3 3158 A3 3169 B4 3190 B2 4101 C2 6105 B2 7109 A5
 2105 B1 2122 C3 2131 C4 2139 B4 2147 A5 2163 A4 2190 B2 3128 C2 3144 A5 3153 A3 3159 A3 3170 A4 3191 A3 4102 C2 6106 B2 7110 B2
 2108 C1 2123 C3 2132 C4 2140 B4 2148 B4 2164 B4 3105 B3 3132 B3 3145 C4 3154 B5 3160 A3 3171 B5 3192 A2 4104 C3 6107 B5 7111 A4
 2109 C1 2124 C3 2134 C4 2141 B5 2149 C4 2165 B3 3108 C2 3134 C3 3146 B5 3155 B5 3161 A4 3172 B5 3193 B2 4105 B2 6120 A4 7122 C3
 2118 C3 2125 C3 2135 C5 2143 B5 2150 B3 2166 B5 3109 C1 3137 C4 3150 B3 3156 A4 3167 A5 3176 C4 3194 B2 4106 B3 7101 B4 7124 C3
 2119 C3 2127 C4 2136 A3 2145 B5 2159 B3 2167 B4 3123 A5 3141 B3 3151 A2 3157 A4 3168 C5 3180 A5 3195 B2 4107 C4 7103 C5



These assembly drawings show a summary of all possible versions.
 For components used in a specific version see schematic diagram respectively partlist.

TUNER ADJUSTMENT TABLE (ECO6 Cenelec FM/MW - and FM/MW/LW - versions with AM-frame aerial)

Waverange	Input frequency	Input	Tuned to	Adjust	Output	Scope/ Voltmeter
<i>VARICAP ALIGNMENT</i>						
FM 87.5 - 108MHz (50kHz grid)			108MHz	check		8V ±1.2V
			87.5MHz	check		1.6V ±0.5V
MW 531 - 1602kHz (9kHz grid)			1602kHz	5123	1	8V ±0.2V 3-band 6.9V ±0.2V 2-band
			531kHz	check		1.1V ±0.4V
LW 153 - 279kHz (3kHz grid)			279kHz	5122		8V ±0.2V
			153kHz	check		1.1V ±0.4V
<i>FM - IF</i>						
FM	10.7MHz, 45mV continuous wave	D		5119	2	0mV ±3mV
<i>FM - VCO</i>						
FM	98MHz, 1mV continuous wave	A	98MHz	3142	3	152kHz ±1kHz ¹⁾
<i>FM RF (channel separation)</i> Note: The FM-frontend unit has already been adjusted by the factory and needs therefore no further adjustments for service purposes.						
FM	98MHz, 1mV 90% Left + 9% pilot mod=1kHz	A	98MHz	IF coil inside FM frontend 1110	4	right channel min.
<i>AM IF</i>						
MW	450kHz connect pin 6 of IC 7101 (AM Osc.) with 3.3kΩ to Vcc	C $\Delta f = \pm 10\text{kHz}$ $V_{RF} = 0.5\text{mV}$ (as low as possible)		5111	5	
				5112		
AM AFC MW		C continuous wave $V_{RF} = 2\text{mV}$		5114	2	0mV ±2mV
<i>AM RF ³⁾</i>						
MW	1494kHz	B	1494kHz	2106	5	
	558kHz		5102			
LW	198kHz	$\Delta f = \pm 30\text{kHz}$ V_{RF} as low as possible	198kHz	5103		

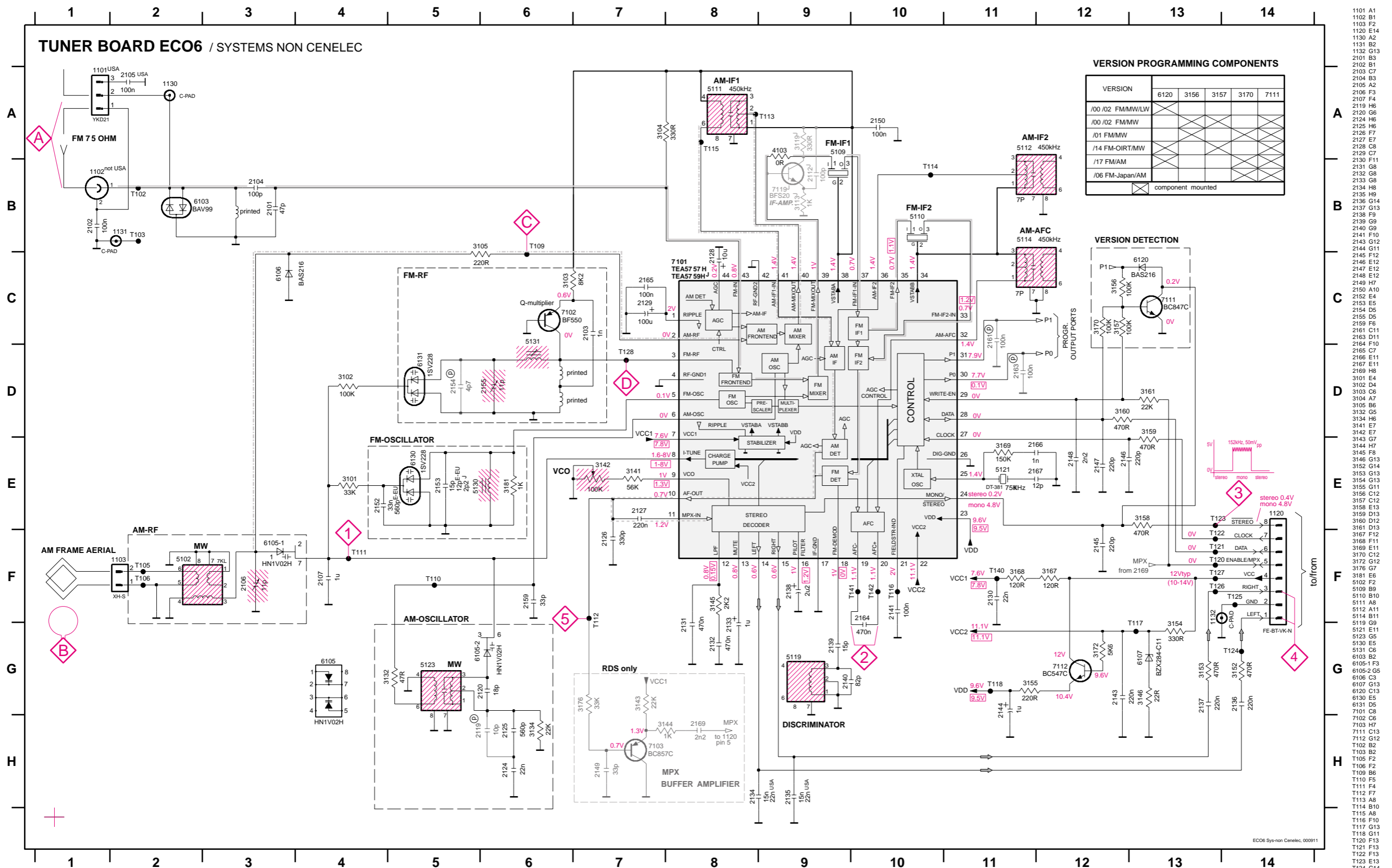
ECO6 Sys Cenelec, 190599

Use Service Testprogram. By selecting the TUNER TEST test frequencies will be stored as preset frequencies automatically.

- 1) If sensitivity of frequency counter is too low adjust to max. channel separation (input signal: stereo left 90% + 9%, adjust output on right channel to minimum)
- 2) RC network serves for damping the IF-filter while adjusting the other one.
- 3) For AM RF adjustments the original frame antenna has to be used!
 MW has to be aligned before LW.

↑ Repeat

CIRCUIT DIAGRAM - ECO6 SYSTEM NON-CENELEC BOARD

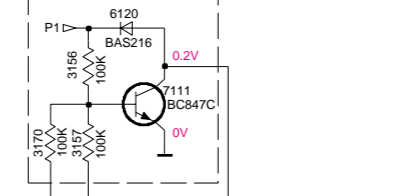


VERSION PROGRAMMING COMPONENTS

VERSION	6120	3156	3157	3170	7111
/00 /02 FMMW/LW					
/00 /02 FMMW					
/01 FMMW					
/14 FM-OIRT/MW					
/17 FM/AM					
/06 FM-Japan/AM					

component mounted

VERSION DETECTION



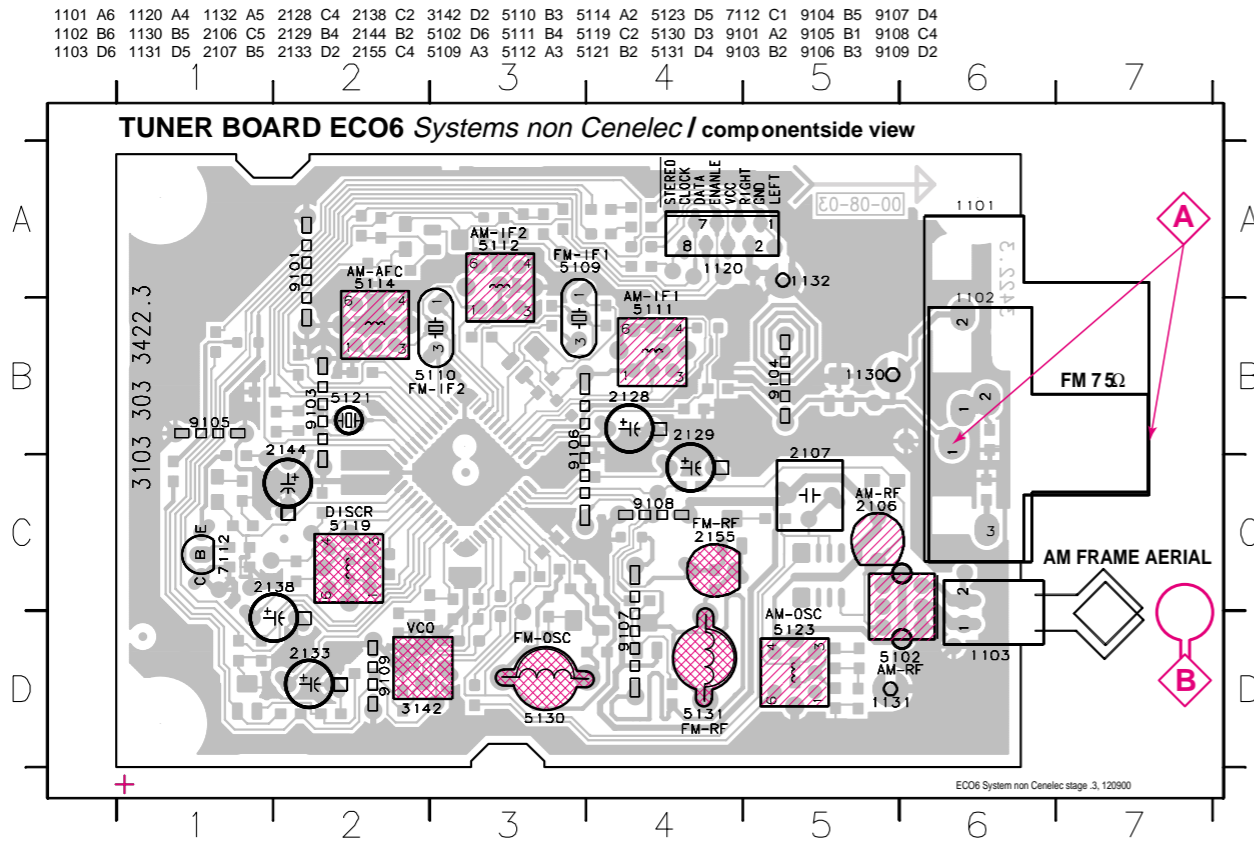
LEGEND
 (D) ...for provision only
 USA . . .for USA version only
 E-EU . . .for East European version only
 J . . .for Japanese version only

...V FM mode stereo
 ...V MW mode
 ...V LW mode
 voltages measured while set is tuned to a strong transmitter

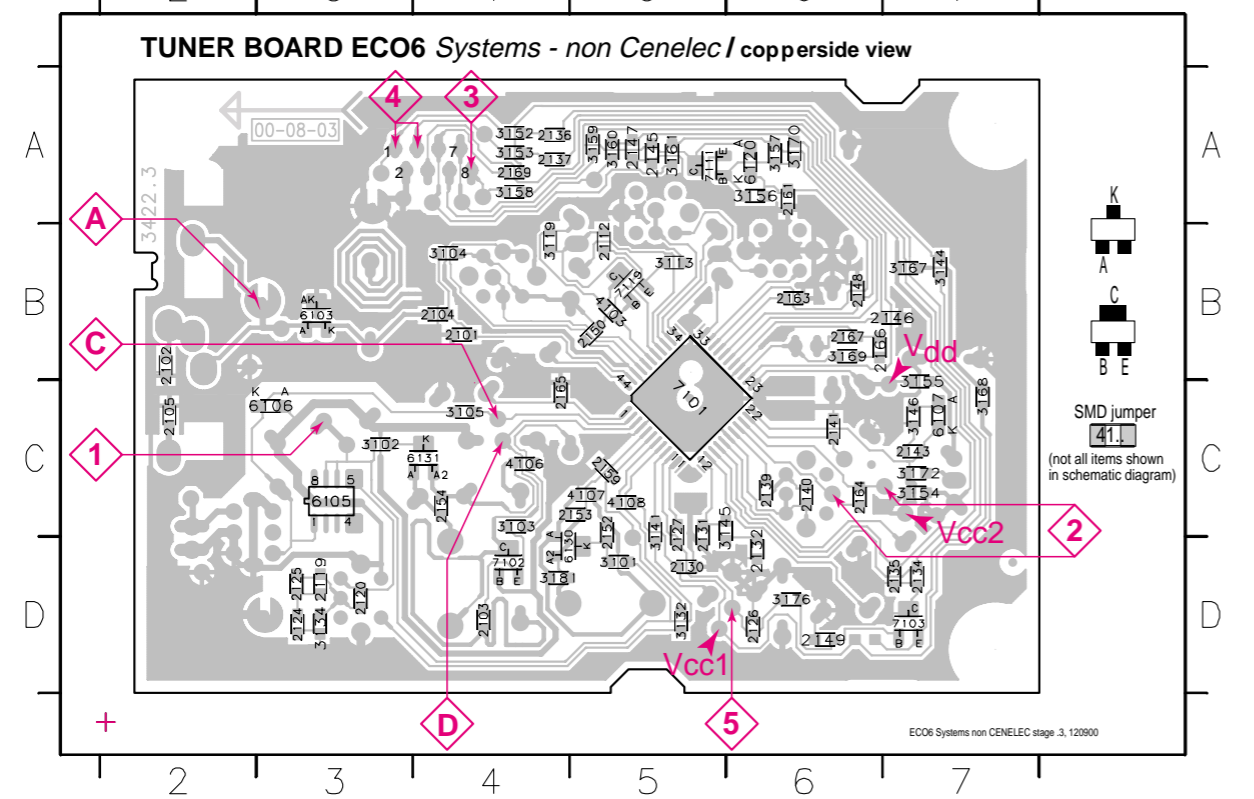
Signal path
 — FM
 - - - AM
 - - - MPX (Audio Frequency)
 ⇨ AF - left/right

- 1101 A1
- 1102 B1
- 1103 F2
- 1120 E14
- 1130 A2
- 1131 B2
- 1132 G13
- 2101 B3
- 2102 B1
- 2103 C7
- 2104 B3
- 2105 A2
- 2106 F3
- 2107 F4
- 2119 H6
- 2120 G6
- 2124 H6
- 2125 H6
- 2126 F7
- 2127 E7
- 2128 C8
- 2129 C7
- 2130 F11
- 2131 H6
- 2132 G8
- 2133 G8
- 2134 H8
- 2135 H9
- 2136 G14
- 2137 G13
- 2138 F9
- 2139 G9
- 2140 G9
- 2141 F10
- 2143 G12
- 2144 G11
- 2145 F12
- 2146 E12
- 2147 E12
- 2148 E12
- 2149 H7
- 2150 A10
- 2152 E4
- 2153 E5
- 2154 D5
- 2155 D5
- 2159 F6
- 2161 C11
- 2163 D11
- 2164 F10
- 2165 C7
- 2166 E11
- 2167 E11
- 2169 H8
- 3101 E4
- 3102 D4
- 3103 D5
- 3104 A7
- 3105 B6
- 3106 G5
- 3134 H6
- 3141 E7
- 3142 E7
- 3143 G7
- 3144 H7
- 3145 F8
- 3146 G13
- 3152 G14
- 3153 G13
- 3154 G13
- 3155 G11
- 3156 C12
- 3157 C12
- 3158 E13
- 3159 D13
- 3160 D12
- 3161 D13
- 3167 F12
- 3168 F11
- 3169 E11
- 3170 C12
- 3172 G12
- 3176 F7
- 3181 E6
- 5109 B9
- 5110 B10
- 5111 A8
- 5112 A11
- 5114 B11
- 5119 G9
- 5121 E13
- 5123 G5
- 5130 E5
- 5131 C6
- 6103 B2
- 6105-1 F3
- 6105-2 G5
- 6106 C3
- 6107 G13
- 6130 E5
- 6131 D5
- 7101 C8
- 7102 C6
- 7103 H7
- 7111 C13
- 7112 G12
- T102 B2
- T103 B2
- T106 F2
- T109 B6
- T110 F5
- T111 F4
- T112 F7
- T113 A8
- T114 B10
- T115 A8
- T116 F10
- T117 G13
- T118 G11
- T120 F13
- T121 F13
- T122 F13
- T123 E13
- T124 G14
- T125 F14
- T126 F13
- T127 F13
- T128 D7
- T140 F11
- T141 F10
- T142 F10

LAYOUT DIAGRAM - ECO6 SYSTEM NON-CENELEC BOARD



- 2101 B4, 2119 D3, 2130 D5, 2137 A4, 2146 B7, 2153 C5, 2165 C4, 3103 C4, 3134 D3, 3152 A4, 3158 A4, 3169 B6, 4106 C4, 6107 C7, 7103 D7, 2102 B1, 2120 D3, 2131 C5, 2139 C6, 2147 A5, 2154 C4, 2166 B6, 3104 B4, 3141 C5, 3153 A4, 3159 A5, 3170 A6, 4107 C5, 6120 A6, 7111 A5, 2103 D4, 2124 D3, 2132 D6, 2140 C6, 2148 B6, 2159 C5, 2167 B6, 3105 C4, 3143 D6, 3154 C7, 3160 A5, 3172 C7, 4108 C5, 6130 D4, 7119 B5, 2104 B4, 2125 D3, 2134 D7, 2141 C6, 2149 D6, 2161 A6, 2169 A4, 3113 B5, 3144 B7, 3155 C7, 3161 A5, 3176 D6, 6103 B3, 6131 C4, 2105 C1, 2126 D6, 2135 D7, 2143 C7, 2150 B5, 2163 B6, 3101 D5, 3119 B5, 3145 C5, 3156 A6, 3167 B7, 3181 D4, 6105 C3, 7101 C5, 2112 B5, 2127 C5, 2136 A4, 2145 A5, 2152 C5, 2164 C6, 3102 C3, 3132 D5, 3146 C7, 3157 A6, 3168 C7, 4103 B5, 6106 C3, 7102 D4



These assembly drawings show a summary of all possible versions.
For components used in a specific version see schematic diagram respectively partslist.

TUNER ADJUSTMENT TABLE (ECO6 FM/MW- and FM/MW/LW - versions with AM-frame aerial)

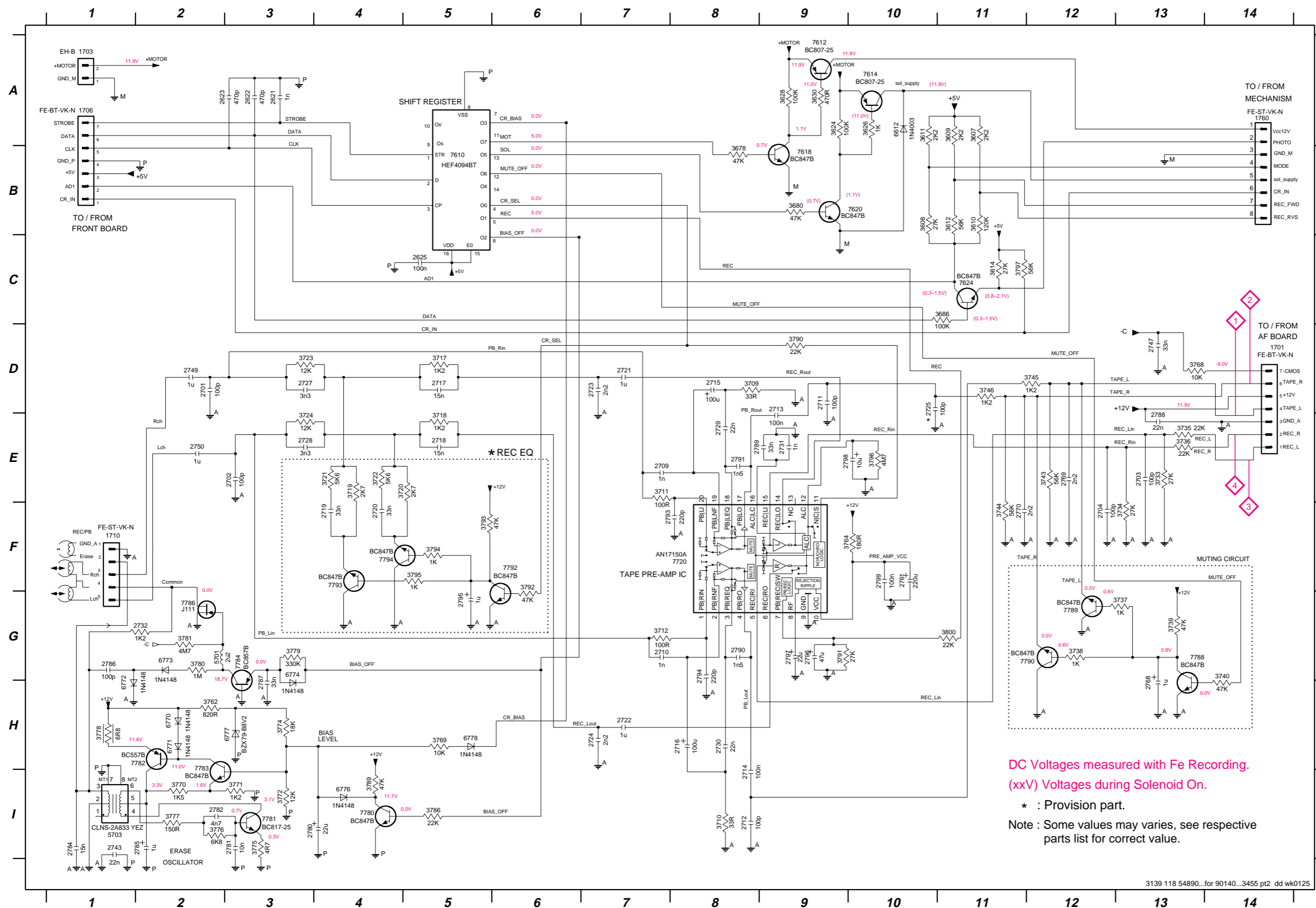
Waverange	Input frequency	Input	Tuned to	Adjust	Output	Scope/ Voltmeter
VARICAP ALIGNMENT						
FM 87.5 - 108MHz (65.81 - 74, 87.5 - 108MHz)			108MHz	5130		8V ±0.2V
			87.5MHz (65.81MHz)	check		4.3V ±0.5V (1.2V ±0.5V)
MW FM/AM-version, 10kHz grid 530 - 1700kHz			1700kHz	5123		8V ±0.2V
			530kHz	check		1.1V ±0.4V
FM/MW-version, 9kHz grid 531 - 1602kHz			1602kHz	5123	1	6.9V ±0.2V
			531kHz	check		1.1V ±0.4V
LW 153 - 279kHz			279kHz	5122		8V ±0.2V
			153kHz	check		1.1V ±0.4V
MW FM/MW/LW- version, 9kHz grid 531 - 1602kHz			1602kHz	5123		8V ±0.2V
			531kHz	check		1.1V ±0.4V
FM IF						
FM	10.7MHz, 45mV continuous wave	D	IC 7101 21 shortcircuit to block AFC	5119	2	0 ± 3 mV DC
FM RF						
FM 87.5 - 108MHz (65.81 - 74, 87.5 - 108MHz)	108MHz	A	108MHz	2155	4	MAX
	87.5MHz (65.81MHz)	mod=1kHz Δf=±22.5kHz	87.5MHz (65.81MHz)	5131		
VCO						
FM	98MHz, 1mV continuous wave	A	98MHz	3142	3	152kHz ±1kHz ¹⁾
AM IF						
MW	450kHz connect pin 6 of IC 7101 (AM Osc.) with 3.3kΩ to Vcc	C Δf=±10kHz V _{RF} = 0.5mV (as low as possible) see remark 2)	IC 7101 36 100nF	5111	5	
			IC 7101 40 100nF	5112		
AM AFC		C		5114	2	0 ± 2 mV DC
AM RF³⁾						
MW⁴⁾ FM/MW/LW- and FM/MW-version (9kHz grid) 531 - 1602kHz	1494kHz	B	1494kHz	2106	5	
	558kHz		558kHz	5102		
LW	198kHz		198kHz	5103		
MW FM/AM-version, 10kHz grid 530 - 1700kHz	1500kHz	B	1500kHz	2106	5	
	560kHz		560kHz	5102		

Use Service Testprogram. By selecting the TUNER TEST test frequencies will be stored as preset frequencies automatically.

- 1) If sensitivity of frequency counter is too low adjust to max. channel separation (input signal: stereo left 90% + 9%, adjust output on right channel to minimum)
2) RC network serves for damping the IF-filter while adjusting the other one.
3) For AM RF adjustments the original frame antenna has to be used!
4) MW has to be aligned before LW.

↑ Repeat

CIRCUIT DIAGRAM - ETF8 SD



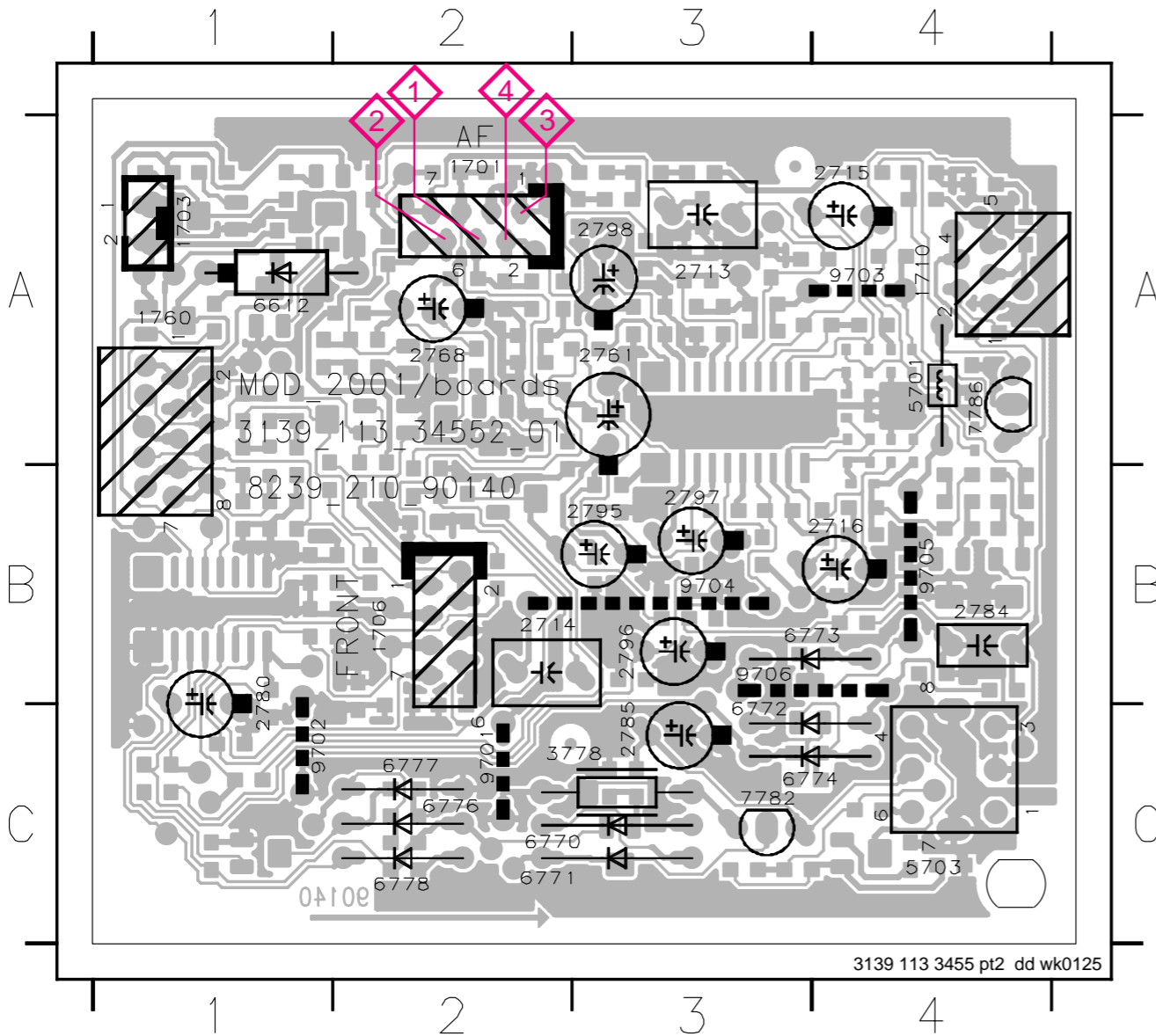
1701 D14	3768 D13
1703 A1	3769 H5
1706 A1	3770 I2
1710 F1	3771 I3
1760 A14	3772 I3
2621 A3	3774 H3
2622 A3	3775 I3
2623 A2	3776 I2
2625 C5	3777 I2
2701 D2	3778 H1
2702 E3	3779 G3
2703 E13	3780 G2
2704 F12	3781 G2
2709 E7	3786 I5
2710 G7	3789 I4
2711 D9	3790 D9
2712 I8	3791 G9
2713 D9	3792 F6
2714 I8	3793 F5
2715 D8	3794 F5
2716 H8	3795 F5
2717 D5	3796 E10
2718 E5	3797 C11
2719 F4	3800 G11
2720 F4	5701 G2
2721 D7	5703 I1
2722 H7	6612 A10
2723 D7	6770 H2
2724 H7	6771 H2
2725 D10	6772 H1
2727 D3	6773 G2
2728 E3	6774 G3
2729 E8	6776 I4
2730 H8	6777 H5
2731 E9	6778 H3
2732 G2	7610 B5
2743 I1	7612 A9
2747 D13	7614 A10
2749 D2	7618 B9
2750 E2	7620 B9
2761 F10	7624 C11
2768 H13	7720 F8
2769 E12	7780 I4
2770 F11	7781 I3
2780 I3	7782 H2
2781 I3	7783 I2
2782 I2	7784 G3
2784 I1	7786 G2
2785 I2	7788 G13
2786 G1	7789 G12
2787 H3	7790 G12
2788 E13	7792 F6
2789 E8	7793 F4
2790 G8	7794 F4
2791 E8	
2793 F7	
2794 G8	
2795 G5	
2796 G9	
2797 G9	
2798 E9	
2799 F10	
3607 A11	
3608 B10	
3609 A11	
3610 B11	
3611 A10	
3612 B11	
3614 C11	
3624 A9	
3626 A10	
3628 A9	
3630 A9	
3678 B8	
3680 B9	
3686 C11	
3709 D8	
3710 I8	
3711 E7	
3712 G7	
3717 D5	
3718 E5	
3719 E4	
3720 E5	
3721 E4	
3722 E4	
3723 D3	
3724 E3	
3733 E13	
3734 F13	
3735 E13	
3736 E13	
3737 G13	
3738 G12	
3739 G13	
3740 G14	
3743 E12	
3744 F11	
3745 D12	
3746 D11	
3762 H2	
3764 F10	

DC Voltages measured with Fe Recording.
 (xxV) Voltages during Solenoid On.

* : Provision part.
 Note : Some values may varies, see respective parts list for correct value.

LAYOUT DIAGRAM - ETF8 SD BOARD

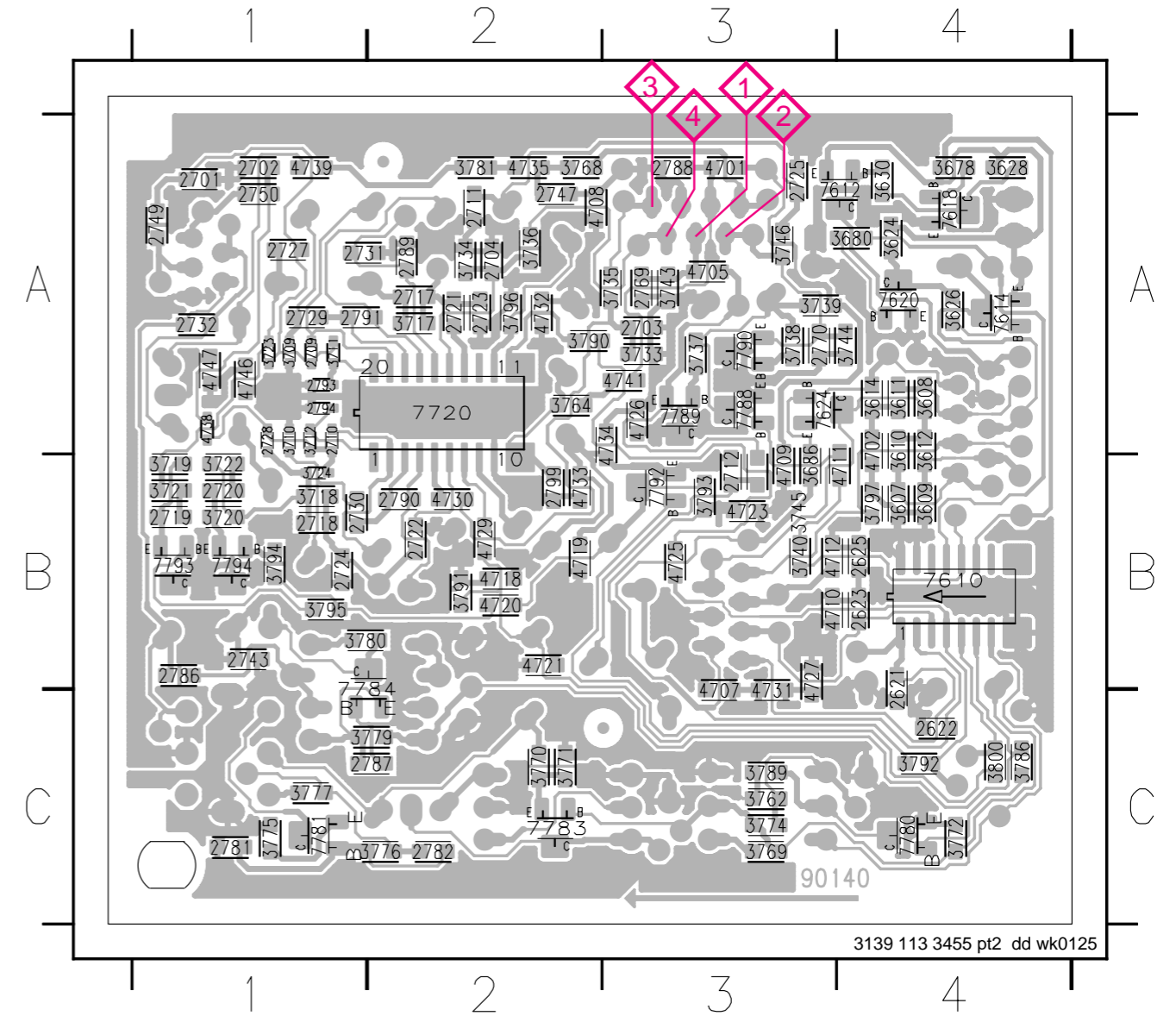
1701 A2	2715 A4	2795 B3	6612 A1	6777 C2	9704 B3
1703 A1	2716 B4	2796 B3	6770 C2	6778 C2	9705 B4
1706 B2	2761 A3	2797 B3	6771 C2	7782 C3	9706 B3
1710 A4	2768 A2	2798 A3	6772 C3	7786 A4	
1760 A1	2780 B1	3778 C3	6773 B3	9701 C2	
2713 A3	2784 B4	5701 A4	6774 C3	9702 C1	
2714 B2	2785 C3	5703 C4	6776 C2	9703 A4	



3139 113 3455 pt2 dd wk0125

CHIP LAYOUT - ETF8 SD BOARD

2621 B4	2729 A1	3609 B4	3724 B1	3777 C1	4712 B3	7614 A4
2622 C4	2730 B1	3610 A4	3733 A3	3779 C2	4718 B2	7618 A4
2623 B4	2731 A1	3611 A4	3734 A2	3780 B1	4719 B2	7620 A4
2625 B4	2732 A1	3612 A4	3735 A3	3781 A2	4720 B2	7624 A3
2701 A1	2743 B1	3614 A4	3736 A2	3786 C4	4721 B2	7720 A2
2702 A1	2747 A2	3624 A4	3737 A3	3789 C3	4723 B3	7780 C4
2703 A3	2749 A1	3626 A4	3738 A3	3790 A2	4725 B3	7781 C1
2704 A2	2750 A1	3628 A4	3739 A3	3791 B2	4726 A3	7783 C2
2709 A1	2769 A3	3630 A4	3740 B3	3792 C4	4727 B3	7784 B1
2710 A1	2770 A3	3678 A4	3743 A3	3793 B3	4729 B2	7788 A3
2711 A2	2781 C1	3680 A4	3744 A4	3794 B1	4730 B2	7789 A3
2712 B3	2782 C2	3686 B3	3745 B3	3795 B1	4731 C3	7790 A3
2717 A2	2786 B1	3709 A1	3746 A3	3796 A2	4732 A2	7792 B3
2718 B1	2787 C2	3710 A1	3762 C3	3797 B4	4733 B2	7793 B1
2719 B1	2788 A3	3711 A1	3764 A2	3800 C4	4734 A3	7794 B1
2720 B1	2789 A2	3712 A1	3768 A2	4701 A3	4735 A2	
2721 A2	2790 B2	3717 A2	3769 C3	4702 A4	4738 A1	
2722 B2	2791 A1	3718 B1	3770 C2	4705 A3	4739 A1	
2723 A2	2793 A1	3719 B1	3771 C2	4707 C3	4741 A3	
2724 B1	2794 A1	3720 B1	3772 C4	4708 A2	4746 A1	
2725 A3	2799 B2	3721 B1	3774 C3	4709 B3	4747 A1	
2727 A1	3607 B4	3722 B1	3775 C1	4710 B3	7610 B4	
2728 A1	3608 A4	3723 A1	3776 C2	4711 B4	7612 A4	



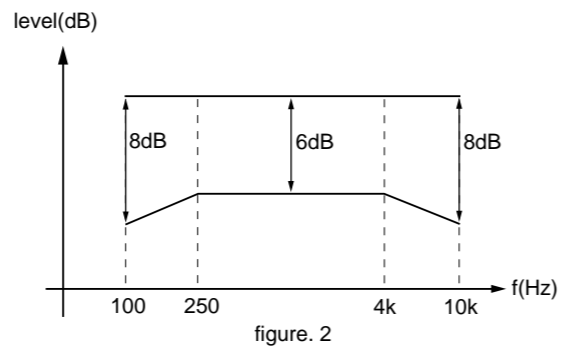
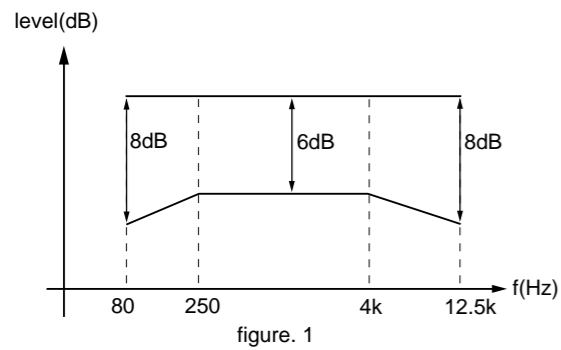
3139 113 3455 pt2 dd wk0125

TAPE ADJUSTMENT & CHECK TABLE

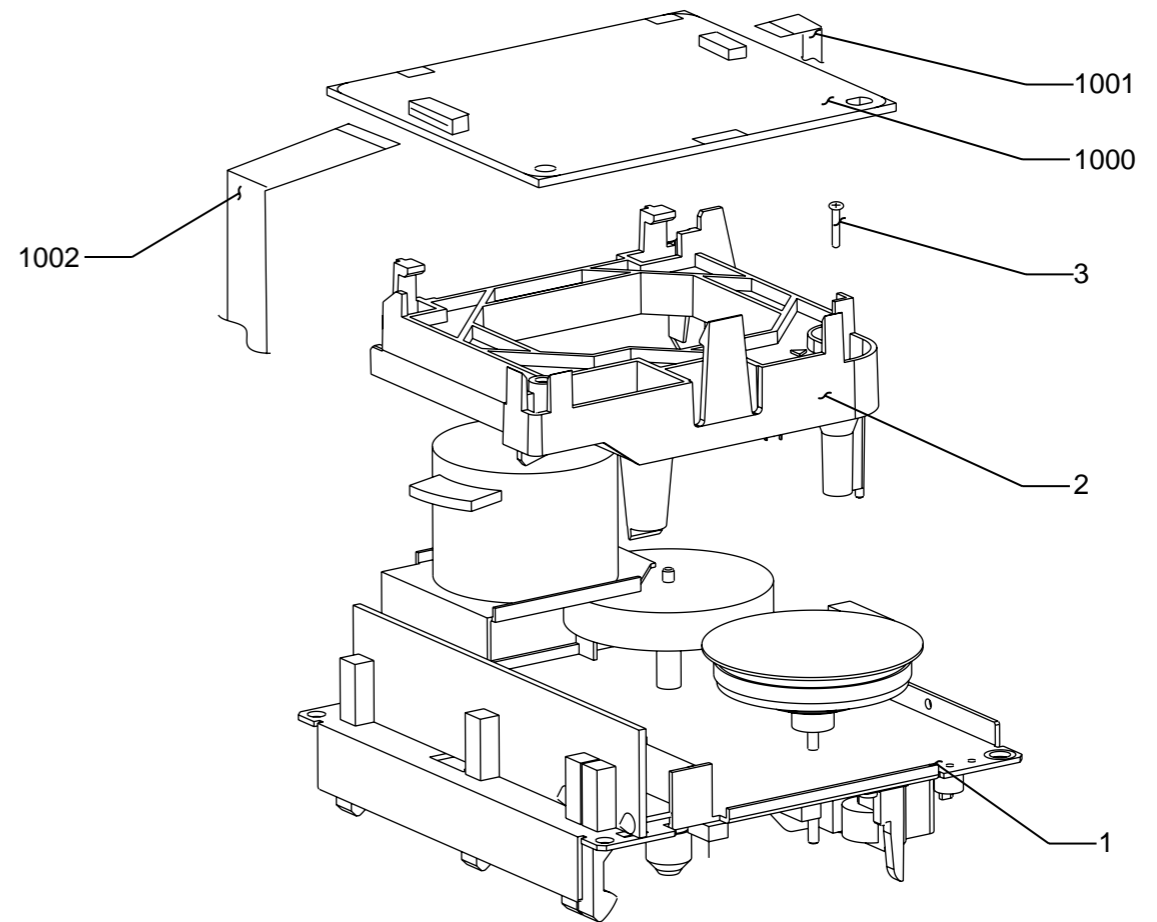
	TEST CASSETTE	RECORDER MODE	MEASURE ON	READ ON	ADJUST	
					with	to
MOTOR SPEED	SBC420 3150Hz	PLAY		frequency counter	check	3150Hz +/- 2%
WOW & FLUTTER	SBC420 3150Hz	PLAY		W&F-meter	check	< 0.4 % DIN
ADJUST AZIMUTH	SBC420 10kHz	PLAY FWD	1 or 2 LEFT RIGHT	mV-meter	left hand screw	max. output level & left=right
		PLAY REV ^			right hand screw	
PLAYBACK LEVEL & FREQ. RESPONSE	SBC420 315Hz	PLAY		mV-meter	check	125mV +/- 3dB (see fig.1 for freq. response)
CHECK RECORD/PLAYBACK FREQUENCY AND DISTORTION						
Inject 3mV signals 100Hz, 250Hz, 1kHz, 10kHz, 12.5kHz via 3 or 4	SBC419A or SBC420	RECORD				
	RECORDED CASSETTE	PLAY	1 or 2 LEFT RIGHT	mV-meter	check	limits see fig. 2 *
Inject 1kHz 8.85mV via 3 or 4	SBC419A or SBC420	RECORD				
	RECORDED CASSETTE	PLAY	1 or 2 LEFT RIGHT	THD-meter	check	< 3% *

SBC419A : 4822 397 30069
SBC420 : 4822 397 30071

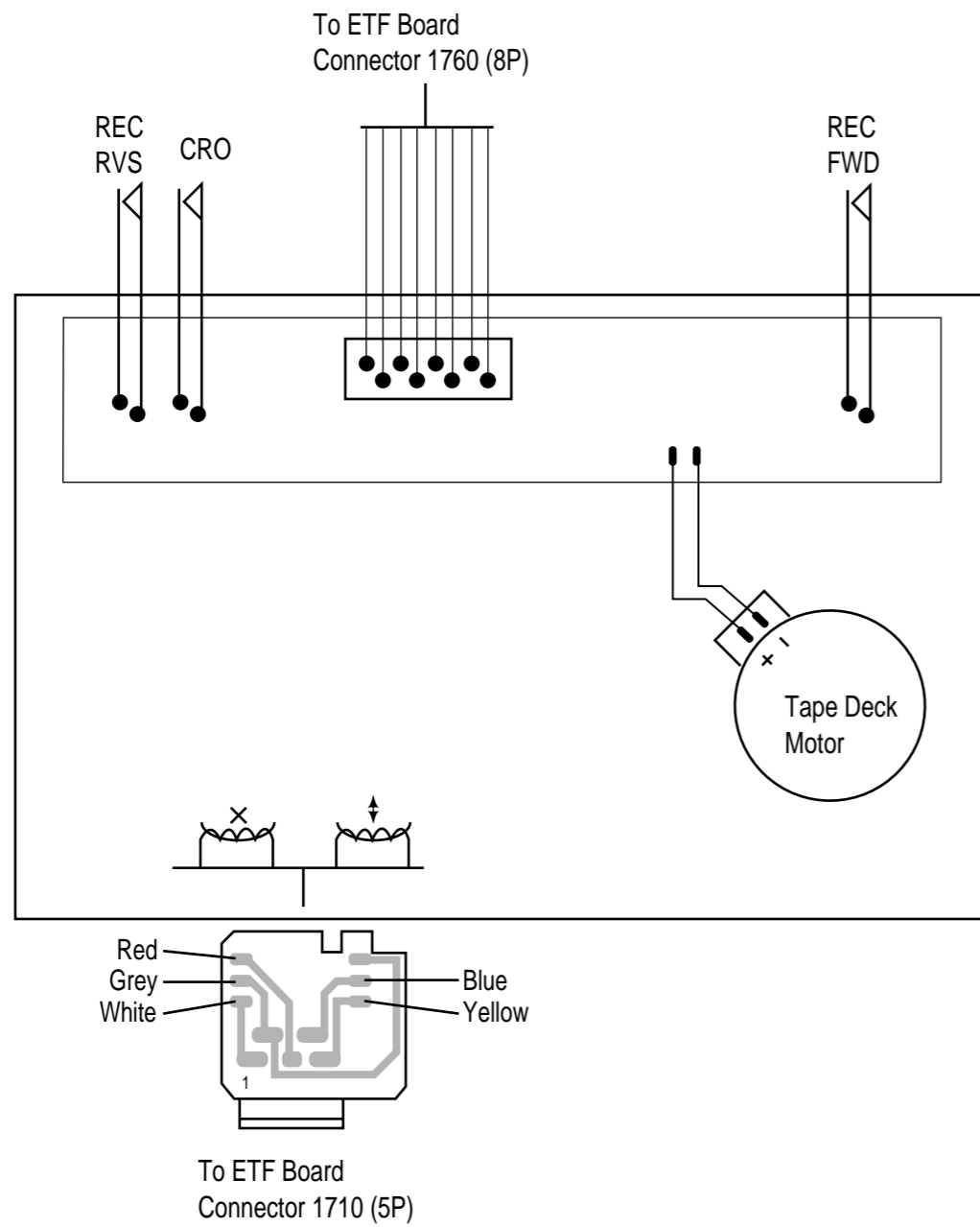
^ For Auto-reverse version only
* If high frequencies are not within limits, decrease bias and re-measure.
If distortion is too high, increase bias and re-measure



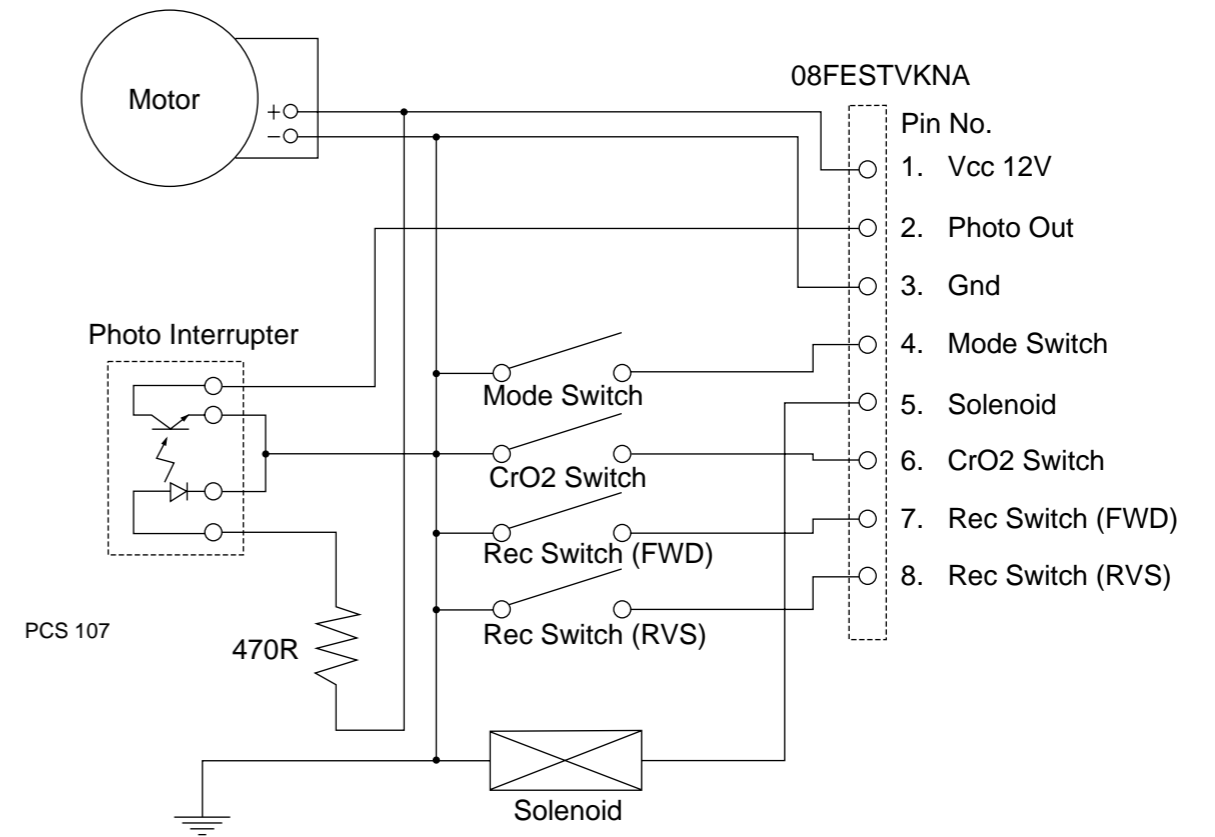
EXPLODED VIEW - TAPE MODULE



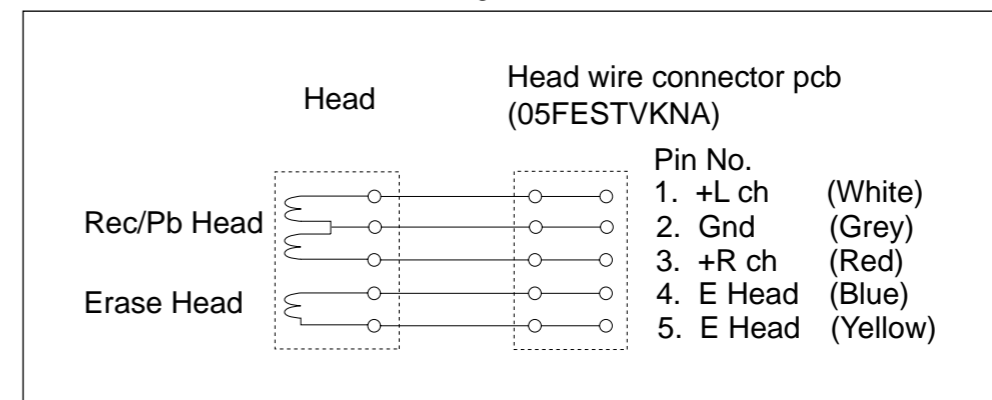
TAPE DECK WIRING



TAPE MECHANISM ELECTRONICS

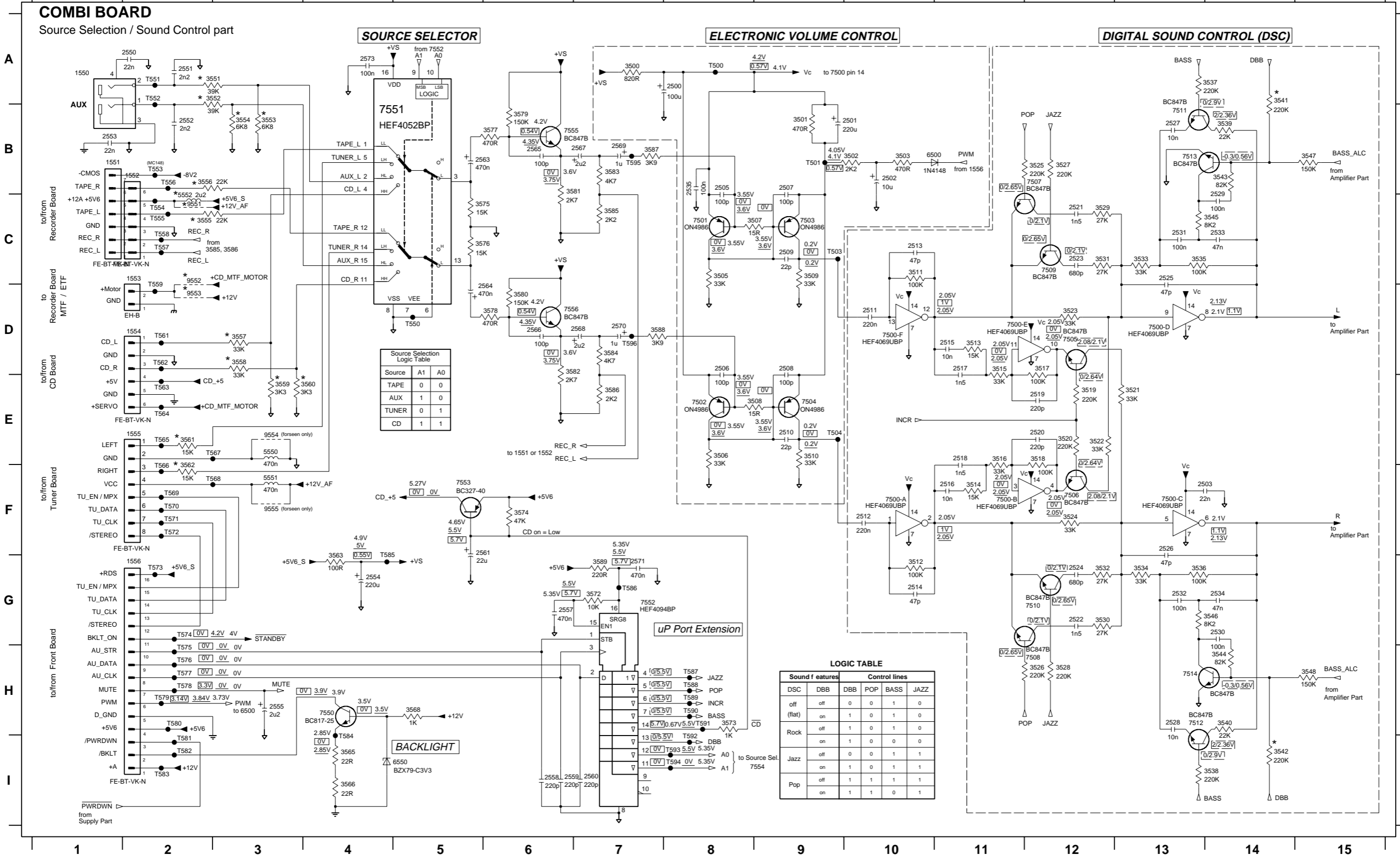


Mechanism Head Wires Soldering



CIRCUIT DIAGRAM - COMBI BOARD (Part 1)

1550 A1	2501 B10	2510 E9	2518 E11	2526 F13	2534 G14	2557 G6	2566 D6	3501 B9	3510 E9	3518 E12	3526 H12	3534 G13	3542 H14	3552 A3	3560 E4	3573 H8	3581 B7	3589 G7	7500-C F13	7505 D12	7513 B13	9551 C2	T504 E9	T557 C2	T566 F2	T574 G2	T582 I2	T590 H8	
1551 B1	2502 B10	2511 D10	2519 E12	2527 B13	2535 B8	2558 I6	2567 B7	3502 B10	3511 C10	3519 E12	3527 B12	3535 C13	3543 B14	3553 B3	3561 E2	3574 F6	3582 D6	3590 E3	5550 E3	7500-D D13	7506 F12	7514 H13	9552 C2	T550 D5	T558 C2	T567 E3	T575 H2	T583 I2	T591 H8
1552 B2	2503 F14	2512 F10	2520 E12	2528 H13	2550 A2	2559 I6	2568 D7	3503 B10	3512 G10	3520 E12	3528 H12	3536 C13	3544 H14	3554 B3	3562 F2	3575 C5	3583 B7	5551 F3	7500-E D11	7507 B12	7509 H4	9553 D2	T551 A2	T559 D2	T568 F3	T576 H2	T584 I4	T592 H8	
1553 C2	2505 B8	2513 C10	2521 C12	2529 C14	2551 A2	2560 I7	2569 B7	3505 C8	3513 D11	3521 E13	3529 C12	3537 A14	3545 C14	3555 C2	3563 G4	3576 C5	3584 D7	5552 C2	7500-F D10	7508 H12	7551 B4	9554 E3	T552 A2	T561 D2	T569 F2	T577 H2	T585 G4	T593 I8	
1554 D2	2506 D8	2514 G10	2522 G12	2530 G14	2552 B2	2561 F6	2567 D7	3506 E8	3514 F11	3522 E12	3530 G12	3538 I14	3546 G14	3556 B2	3565 I4	3577 B6	3585 C7	6500 B10	7501 C8	7509 C12	7552 G7	9555 F3	T553 B2	T562 D2	T570 F2	T578 H2	T586 G7	T594 I8	
1555 E2	2507 B9	2515 D11	2523 G12	2531 C13	2553 B1	2563 B5	2571 G7	3507 C9	3515 D11	3523 D12	3531 C12	3539 B14	3547 B15	3557 D3	3566 I4	3578 D6	3586 E7	6550 I5	7502 E8	7510 G12	7553 F5	T500 A8	T554 C2	T563 E2	T571 F2	T579 H2	T587 H8	T595 B7	
1556 G2	2508 D9	2516 F11	2524 G12	2532 G13	2554 G4	2564 C6	2573 A4	3508 E9	3516 E11	3524 F12	3532 G12	3540 H14	3548 H15	3558 D3	3568 H5	3579 B6	3587 B7	7500-A F10	7503 C9	7511 B13	7555 B6	T501 B9	T555 C2	T564 E2	T572 F2	T580 H2	T588 H8	T596 D7	
2500 A8	2509 C9	2517 D11	2525 C13	2533 C14	2555 H3	2565 B6	3500 A7	3509 C9	3517 D12	3525 B12	3533 C13	3541 A14	3551 A3	3559 E3	3572 G7	3580 D6	3588 D7	7500-B F11	7504 E9	7512 H13	7556 D6	T503 C9	T556 B2	T565 E2	T573 G2	T581 I2	T589 H8		



Source Selection Logic Table

Source	A1	A0
TAPE	0	0
AUX	1	0
TUNER	0	1
CD	1	1

LOGIC TABLE

Sound features	Control lines					
	DSC	DBB	POP	BASS	JAZZ	
off (flat)	off	off	0	0	1	0
Rock	off	on	1	0	1	0
Jazz	off	on	1	0	0	1
Pop	off	on	1	1	1	1

Component Selection Table

Model	Item	3541	3551	3553	3555	3557	3559	3561	5552	9551	9552	9553
MC-100/105/110	220K	39K	6K8	22K	33K	3K3	15K	2.2uH				
MC-200	150K	33K	8K2	6K8	18K	2K7	10K					

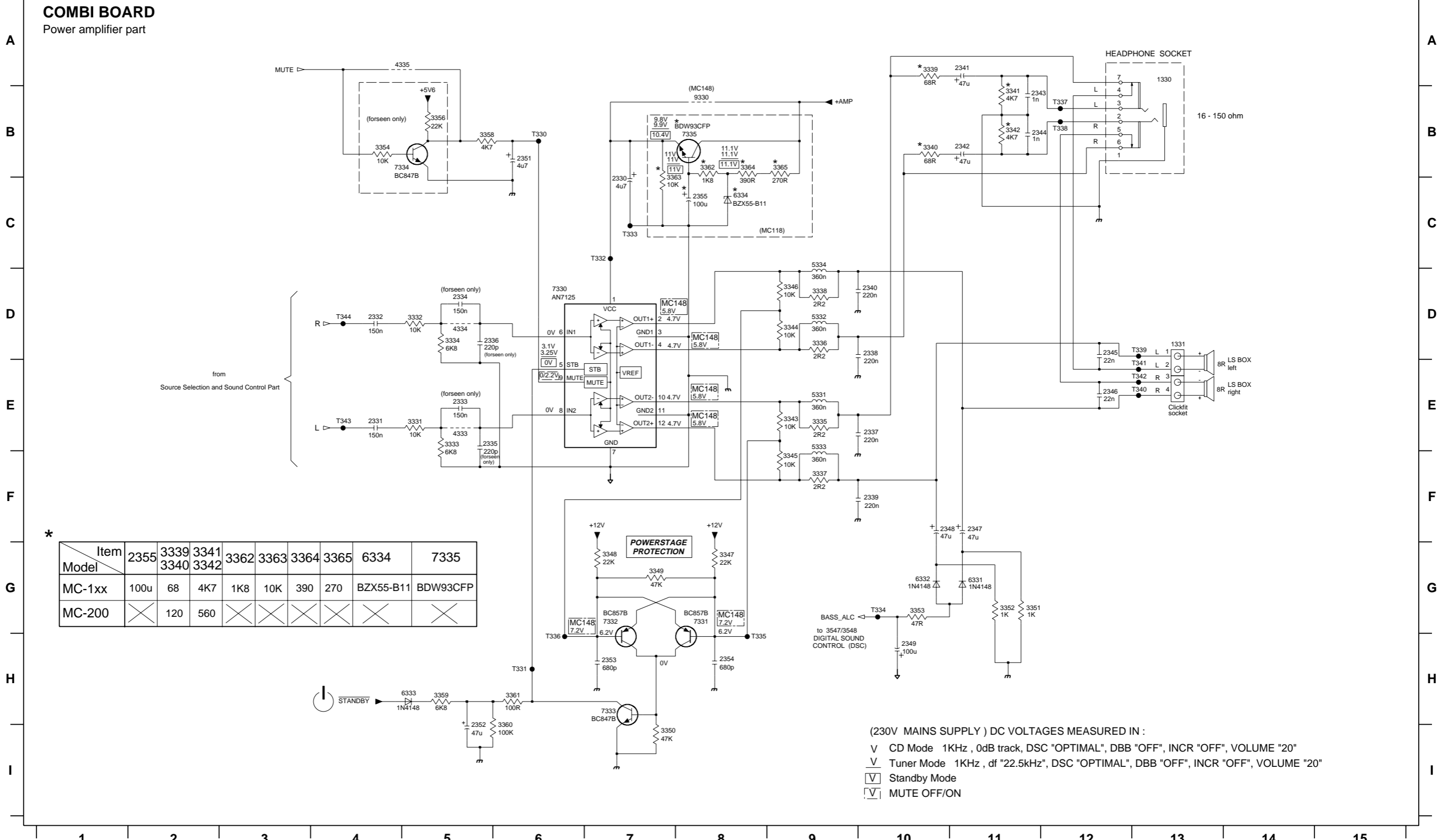
(230V MAINS SUPPLY) DC VOLTAGES MEASURED IN:

- V CD Mode 1KHz, 0dB track, DSC "OPTIMAL", DBB "OFF", INCR "OFF", VOLUME "20"
- V Tuner Mode 1KHz, df "22.5kHz", DSC "OPTIMAL", DBB "OFF", INCR "OFF", VOLUME "20"
- V Standby Mode
- V DSC OFF/ON at CD Mode 1KHz, 0dB track, VOLUME "20"

CIRCUIT DIAGRAM - COMBI BOARD (Part 2)

1330 A13 2331 E4 2334 D5 2337 E9 2340 D9 2343 B11 2346 E12 2349 H10 2353 H7 3331 E5 3334 D5 3337 F9 3340 B10 3343 E9 3346 D9 3349 G7 3352 G11 3356 B5 3360 I5 3363 C7 4333 E5 5331 E9 5334 C9 6333 H5 7331 G8 7334 B4 T330 B6 T333 C7 T336 H6 T339 D13 T342 E13
 1331 D13 2332 D4 2335 E5 2338 D9 2341 A11 2344 B11 2347 F11 2351 B6 2354 H8 3332 D5 3335 E9 3338 D9 3341 B11 3344 D9 3347 G8 3350 I7 3353 G10 3358 B5 3361 H6 4334 D5 5332 D9 6331 G11 6334 C8 7332 G7 7335 B8 T331 H6 T334 G10 T337 B12 T340 E13 T343 E4
 2330 C7 2333 E5 2336 D5 2339 F9 2342 B11 2345 D12 2348 F10 2352 I5 3333 E5 3336 D9 3339 A10 3342 B11 3345 F9 3348 G7 3351 G11 3354 B4 3359 H5 3362 B8 3365 B9 4335 A5 5333 E9 6332 G10 7330 D6 7333 H7 9330 B8 T332 C7 T335 H8 T338 B12 T341 E13 T344 D4

1 2 3 4 5 6 7 8 9 10 11 12 13 14 15

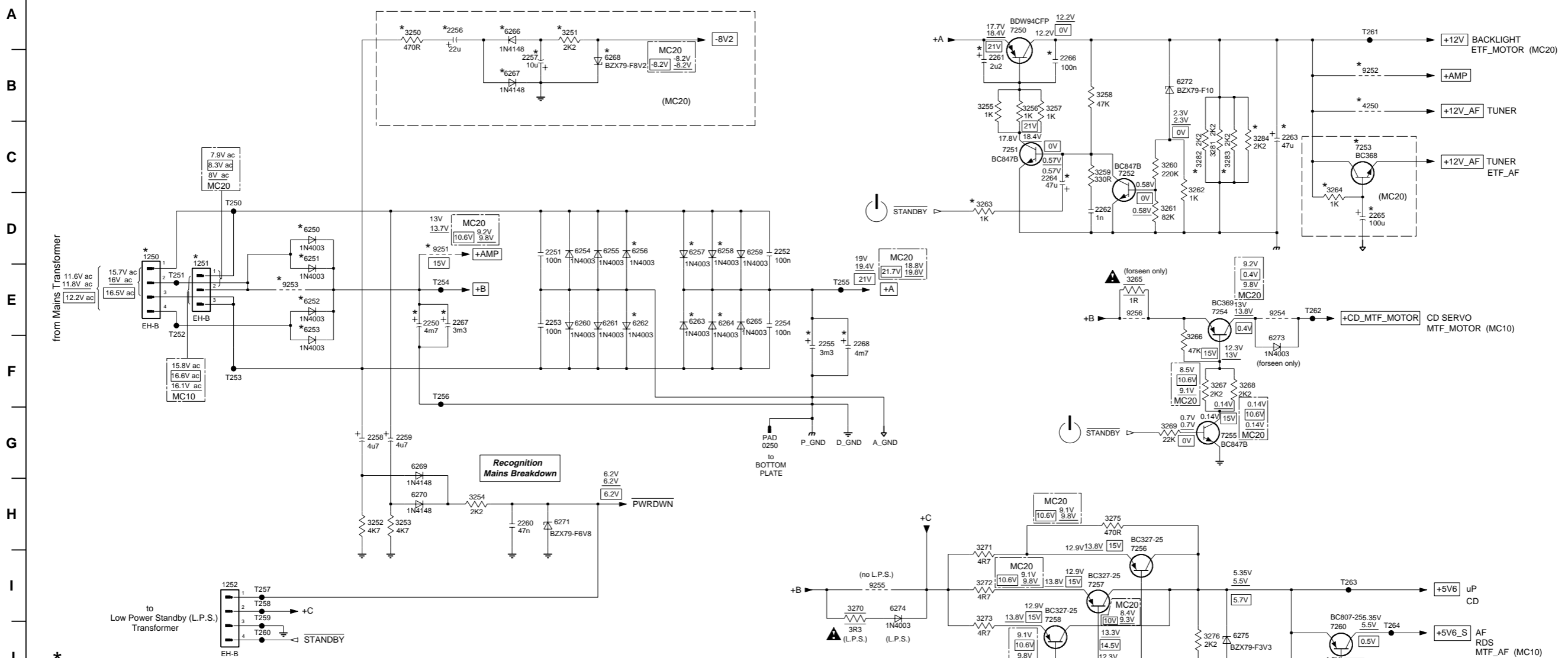


CIRCUIT DIAGRAM - COMBI BOARD (Part 3)

0250 G11 2250 E6 2254 E11 2258 G5 2262 D15 2266 B15 3251 A8 3255 B14 3259 C15 3263 D14 3267 F17 3271 H14 3275 H15 3279 J19 3283 C17 6251 D4 6255 D8 6259 D10 6263 E10 6267 B7 6271 H8 6275 J17 7253 C19 7257 I15 7261 K19 9254 E18 T251 E2 T255 E12 T259 I4 T263 I19
 1250 D2 2251 D8 2255 F11 2259 G5 2263 C18 2267 E6 3252 H5 3256 B14 3260 C16 3264 C19 3268 F17 3272 I14 3276 J17 3280 K19 3284 C17 6252 E4 6256 D9 6260 E8 6264 E10 6268 B8 6272 B16 7250 A14 7254 E17 7258 I14 9251 D6 9255 I12 T252 F2 T256 F6 T260 J4 T264 J19
 1251 E3 2252 D11 2256 A6 2260 H7 2264 C15 2268 F12 3253 H5 3257 B15 3261 D16 3265 E16 3269 G16 3273 I14 3277 K17 3281 C17 4250 B19 6253 E4 6257 D10 6261 E8 6265 E10 6269 G6 6273 E18 7251 C14 7255 G17 7259 J15 9252 B19 9256 E16 T253 F3 T257 I4 T261 A19
 1252 I3 2253 E8 2257 B7 2261 B14 2265 D19 3250 A6 3254 H7 3258 B15 3262 C17 3266 F17 3270 I12 3274 K15 3278 J18 3282 C17 6250 D4 6254 D8 6258 D10 6262 E9 6266 A7 6270 H6 6274 I12 7252 C16 7256 H16 7260 J18 9253 E4 T250 D3 T254 E6 T258 I4 T262 E18

1 2 3 4 5 6 7 8 9 10 11 12 13 14 15 16 17 18 19 20 21

COMBI BOARD
Supply part



Item	1250	1251	2250	2255	2256	2257	2261	2263	2264	2265	2266	2267	2268	3250	3251	3263
Model	1250	1251	2250	2255	2256	2257	2261	2263	2264	2265	2266	2267	2268	3250	3251	3263
MC-1xx	✓	✗	4M7 16V	3M3 25V	✗	✗	2u2	47u	47u	✗	✗	✗	✗	✗	✗	1K
MC-200	✗	✓	✗	✗	22u	10u	✗	✗	4u7	100u	100n	3M3 16V	4M7 25V	470	2K2	4K7

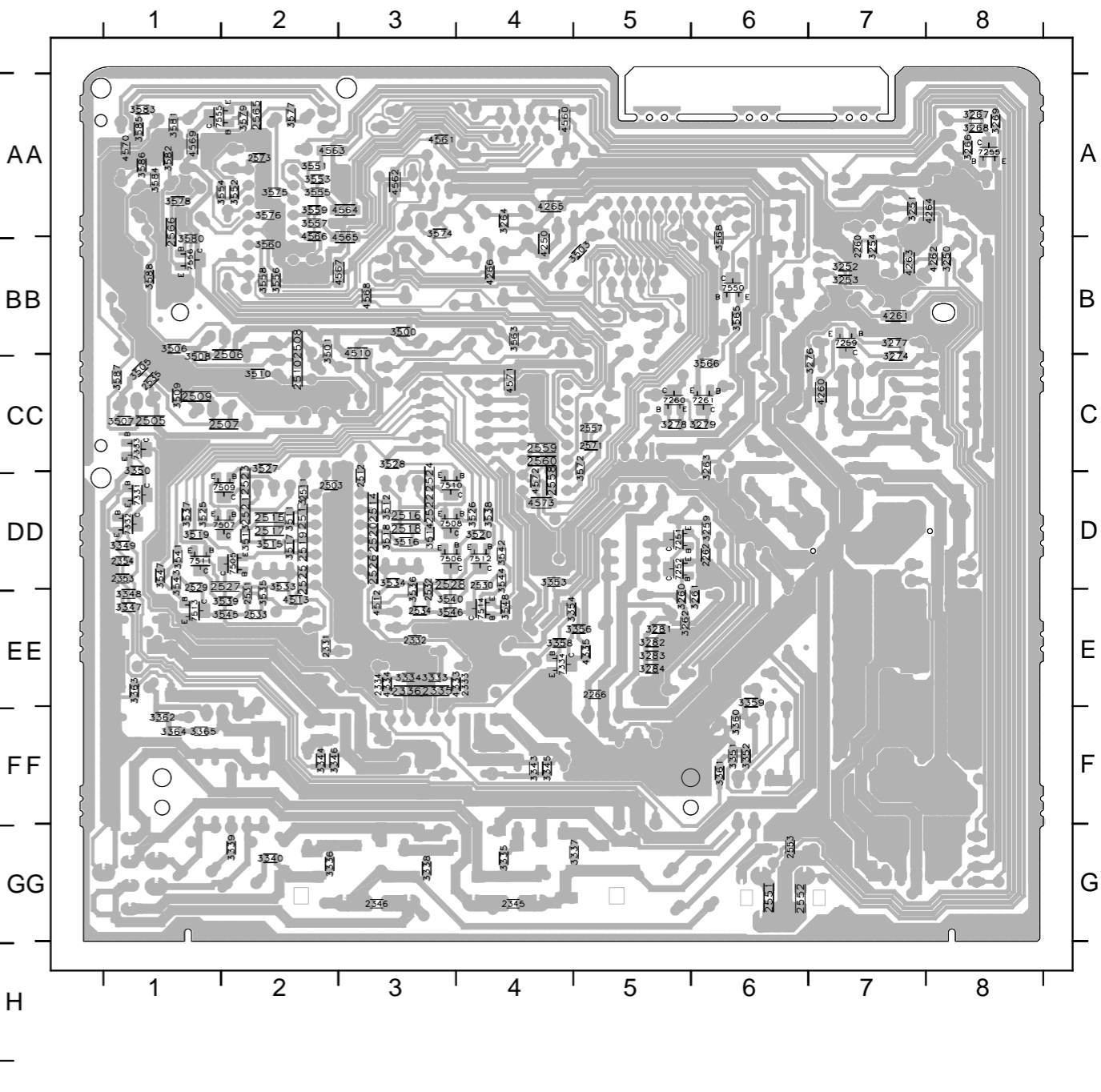
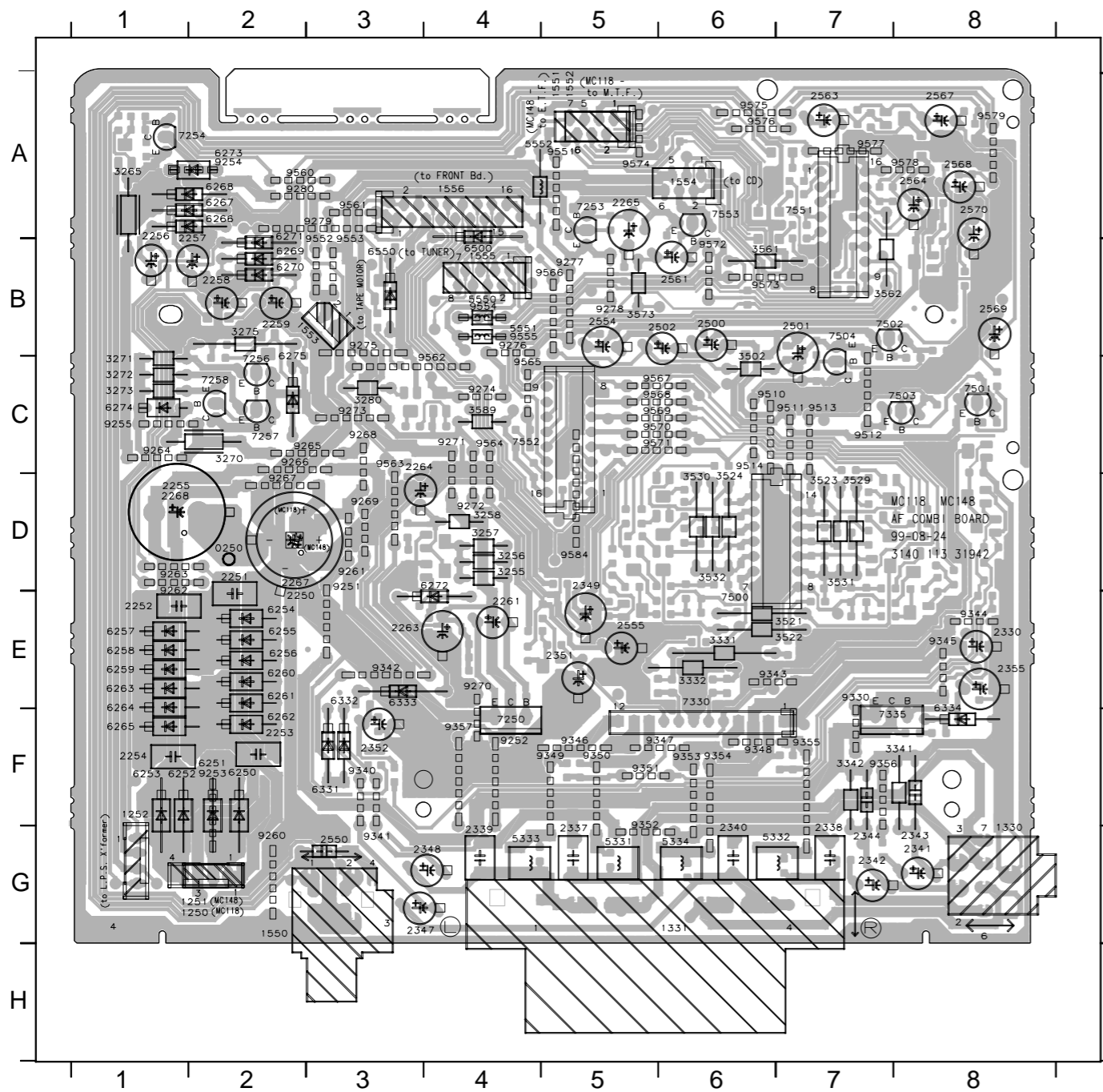
Item	3264	3282	3283	3284	4250	6250	6251	6252	6253	6255	6256	6257	6258	6262	6263	6264	6266	6267	6268	7253	9251	9252	9253
Model	3264	3282	3283	3284	4250	6250	6251	6252	6253	6255	6256	6257	6258	6262	6263	6264	6266	6267	6268	7253	9251	9252	9253
MC-1xx	✗	✗	✗	✗	✓	1N4003	1N4003	✗	✗	✗	✗	✗	✗	✗	✗	✗	✗	✗	✗	✗	✓	✗	✗
MC-200	1K	2K2	2K2	2K2	✗	✗	✗	1N4003	1N4003	1N4003	1N4148	BZX79-F8V2	BC368	✗	✗	✗	✗	✗	✗	✗	✓	✓	✓

(230V MAINS SUPPLY) DC VOLTAGES MEASURED IN :
 V CD Mode 1kHz, 0dB track, DSC "OPTIMAL", DBB "OFF", INCR "OFF", VOLUME "20"
 V Tuner Mode 1kHz, df "22.5kHz", DSC "OPTIMAL", DBB "OFF", INCR "OFF", VOLUME "20"
 V Standby Mode

LAYOUT DIAGRAM - COMBI BOARD

0250 D2	2254 F1	2341 G8	2563 A7	3331 E6	5331 G5	6260 E2	6332 E3	7504 B7	9268 C3	9343 E6	9512 C7	9569 C5
1250 G2	2255 D1	2342 G7	2564 A8	3332 E6	5332 G7	6261 E2	6333 E3	7551 A7	9269 D3	9344 E6	9513 C7	9570 C5
1251 G2	2256 A1	2343 G8	2567 A8	3341 F8	5333 G4	6262 F2	6334 E8	7552 C4	9270 E4	9345 E6	9514 C6	9571 C5
1252 F1	2257 A2	2344 G7	2568 A8	3342 F7	5334 G6	6263 E1	6500 B3	7553 A6	9271 C4	9346 E6	9551 A5	9572 B6
1330 G8	2258 B2	2347 G3	2569 B8	3502 C6	5530 B4	6264 E1	6500 B3	7551 D3	9272 D4	9347 F6	9552 B3	9573 B6
1331 G8	2259 B2	2348 G4	2570 A8	3521 E6	5551 B4	6265 F1	7250 F4	9252 F4	9273 C3	9348 F6	9553 B3	9574 A5
1550 G2	2261 E4	2349 D5	3255 D4	3522 E7	5552 A4	6266 A2	7253 A5	9253 F2	9274 C4	9349 F6	9554 B4	9575 A6
1551 A5	2263 E3	2351 E5	3256 D4	3523 D7	5550 F2	6267 A2	7254 A2	9254 A2	9275 B3	9350 F5	9555 B4	9576 A6
1552 A5	2264 C3	2352 F3	3257 D4	3524 D6	6251 F2	6268 A2	7256 C2	9255 C1	9276 B4	9351 F5	9560 A2	9577 A7
1553 B3	2265 A5	2355 E8	3258 D4	3529 D7	6252 F1	6269 B2	7257 C2	9260 G2	9277 B5	9352 F5	9561 A3	9578 A8
1554 A6	2267 D2	2500 B6	3265 A1	3530 D6	6253 F1	6270 B2	7258 C2	9261 D3	9278 B5	9353 F6	9562 C4	9579 A8
1555 B4	2268 D1	2501 B7	3270 C2	3531 D7	6254 E2	6271 A2	7330 E6	9262 D1	9279 A3	9354 F6	9563 C3	9584 D5
1556 A4	2330 E8	2502 B6	3271 C1	3532 D6	6255 E2	6272 D4	7335 F7	9263 D1	9280 A2	9355 F7	9564 C4	
2250 E2	2337 G5	2550 G3	3272 C1	3561 B6	6256 E2	6273 A2	7500 E6	9264 C1	9330 E7	9356 F7	9565 C4	
2251 D2	2338 G7	2554 B5	3273 C1	3562 B7	6257 E1	6274 C1	7501 C8	9265 C3	9340 F3	9357 F4	9566 B5	
2252 E1	2339 G4	2555 E5	3275 B2	3573 B5	6258 E1	6275 C2	7502 B7	9266 C2	9341 G3	9510 C6	9567 C5	
2253 F2	2340 G6	2561 B6	3280 C3	3589 C4	6259 E1	6331 F3	7503 C8	9267 D2	9342 E3	9511 C7	9568 C5	

2260 B7	2509 C1	2527 D2	2571 C5	3276 C7	3345 F4	3365 F1	3519 D1	3545 E2	3572 C5	4261 B7	4566 A2	7505 D2
2262 D6	2510 C2	2528 D3	2573 A2	3277 B7	3346 F2	3500 B3	3520 D4	3546 E3	3574 A3	4262 B8	4567 B3	7506 D3
2266 E5	2511 D2	2529 D3	2575 B8	3278 C5	3347 F1	3501 B2	3521 D1	3547 D1	3575 A2	4263 B7	4568 B3	7507 D2
2331 E2	2512 D3	2530 D4	2577 C4	3279 C6	3348 F1	3503 B5	3526 D4	3548 E4	3576 A2	4264 A8	4569 A1	7508 D3
2332 E4	2513 D2	2531 E2	2578 B7	3281 F5	3349 F1	3505 C1	3527 C2	3551 A2	3577 A2	4265 A4	4570 A1	7509 D2
2334 E4	2514 D3	2532 E2	2579 B7	3282 F5	3350 D1	3507 B1	3528 C3	3552 A2	3578 A1	4266 B4	4571 C4	7510 D3
2335 F3	2515 D2	2533 E2	2580 B7	3283 F5	3351 F6	3508 C1	3529 C2	3553 A2	3579 A2	4267 C4	4572 D4	7511 D1
2336 F3	2516 D2	2534 E2	2581 B7	3284 F5	3352 F6	3509 C1	3530 D2	3554 A2	3580 B1	4334 E3	4573 D4	7512 D4
2345 E4	2517 D2	2535 C1	2582 B7	3285 F5	3353 E3	3510 C2	3531 D2	3555 A2	3581 A1	4335 E5	4574 D5	7513 E1
2346 C4	2518 D3	2551 G6	2583 B7	3286 F5	3354 E4	3511 D2	3532 E3	3556 B2	3582 A1	4510 B3	4575 D5	7514 E4
2347 C4	2519 D2	2552 G6	2584 B7	3287 F5	3355 G4	3512 D3	3533 D4	3557 A2	3583 A1	4512 E3	4576 A8	7550 B6
2353 D1	2520 D3	2553 G6	2585 B7	3288 F5	3356 E4	3513 D2	3534 D4	3558 B2	3584 A1	4513 E2	4579 B7	7555 A1
2354 D1	2521 D2	2557 C5	2586 A4	3289 F5	3357 G5	3514 D3	3535 E2	3559 A2	3585 A1	4560 A4	4760 C5	7556 B1
2503 D2	2522 D3	2558 D4	2587 A8	3290 F5	3358 G3	3515 D2	3536 F6	3560 B2	3586 A1	4561 A3	4761 C6	
2505 C1	2523 D2	2559 C4	2588 A8	3291 F5	3359 G2	3516 D2	3537 D1	3561 A2	3587 A1	4562 A3	4761 D1	
2506 C2	2524 D3	2560 C4	2589 A8	3292 F5	3360 F6	3517 D2	3538 D1	3562 B6	3588 B1	4563 A2	4762 D1	
2507 C2	2525 D2	2565 A2	2590 A8	3293 F5	3361 F6	3518 D3	3539 E2	3563 B4	3587 C1	4564 A3	4763 C1	
2508 B2	2526 D3	2566 A1	3274 C7	3344 F2	3364 F1	3518 D3	3544 D4	3568 B6	4260 C7	4565 B3	4764 E4	



CIRCUIT DIAGRAM - CD99/ DA11 BOARD (Part 1)

1800 D1	2806 E4	2813 E9	2820 B10	2827 C14	2834 F5	2841 C1	2865 D5	2875 D5	3801 A1	3808 A2	3815 E5	3822 E7	3829 A11	3838 D14	3845 G12	3852 F5	3859 H5	3890 B4	3897 C5	7802-D E8	7808 E4
1801 G1	2807 E4	2814 E9	2821 B11	2828 C14	2835 F4	2842 F7	2869 E2	2878 A10	3802 B1	3809 A2	3816 E5	3823 E8	3830 B12	3839 D14	3846 F10	3853 F5	3860 H5	3891 C4	3898 C5	7802-E E7	7809 G4
2801 A2	2808 E4	2815 E10	2822 B11	2829 G14	2836 F4	2860 B5	2870 B5	3745 G12	3803 B1	3810 A3	3817 E7	3824 E9	3831 B14	3840 D15	3847 F6	3854 F5	3861 H5	3892 C4	3899 D5	7802-F F8	8401 H3
2802 A3	2809 E6	2816 F10	2823 B11	2830 F13	2837 G5	2861 B5	2871 B5	3750 G11	3804 B1	3811 E4	3818 E6	3825 E9	3832 B14	3841 E14	3848 F5	3855 F4	3862 H5	3893 D4	3899 D12	7800 D12	7803 B2
2803 E4	2810 E6	2817 D9	2824 B11	2831 G12	2838 G4	2862 C5	2872 C5	3751 G11	3805 A1	3812 D5	3819 E6	3826 D10	3834 B14	3842 G14	3849 E5	3856 G6	3863 H4	3894 A5	3899 D12	7802-A E6	7804-A A1
2804 E4	2811 F7	2818 D9	2825 B12	2832 F5	2839 H4	2863 C5	2873 C5	3757 G5	3806 B2	3813 E5	3820 E7	3827 D9	3835 C14	3843 G14	3850 F5	3857 G5	3864 C1	3895 B5	3899 D12	7802-B E5	7804-B C3
2805 E4	2812 E8	2819 B10	2826 A13	2833 F4	2840 H4	2864 D5	2874 D5	3800 B2	3807 A2	3814 E5	3821 E7	3828 A10	3837 C14	3844 G13	3851 F6	3858 G5	3865 F7	3896 B5	7802-C E5	7807 E6	

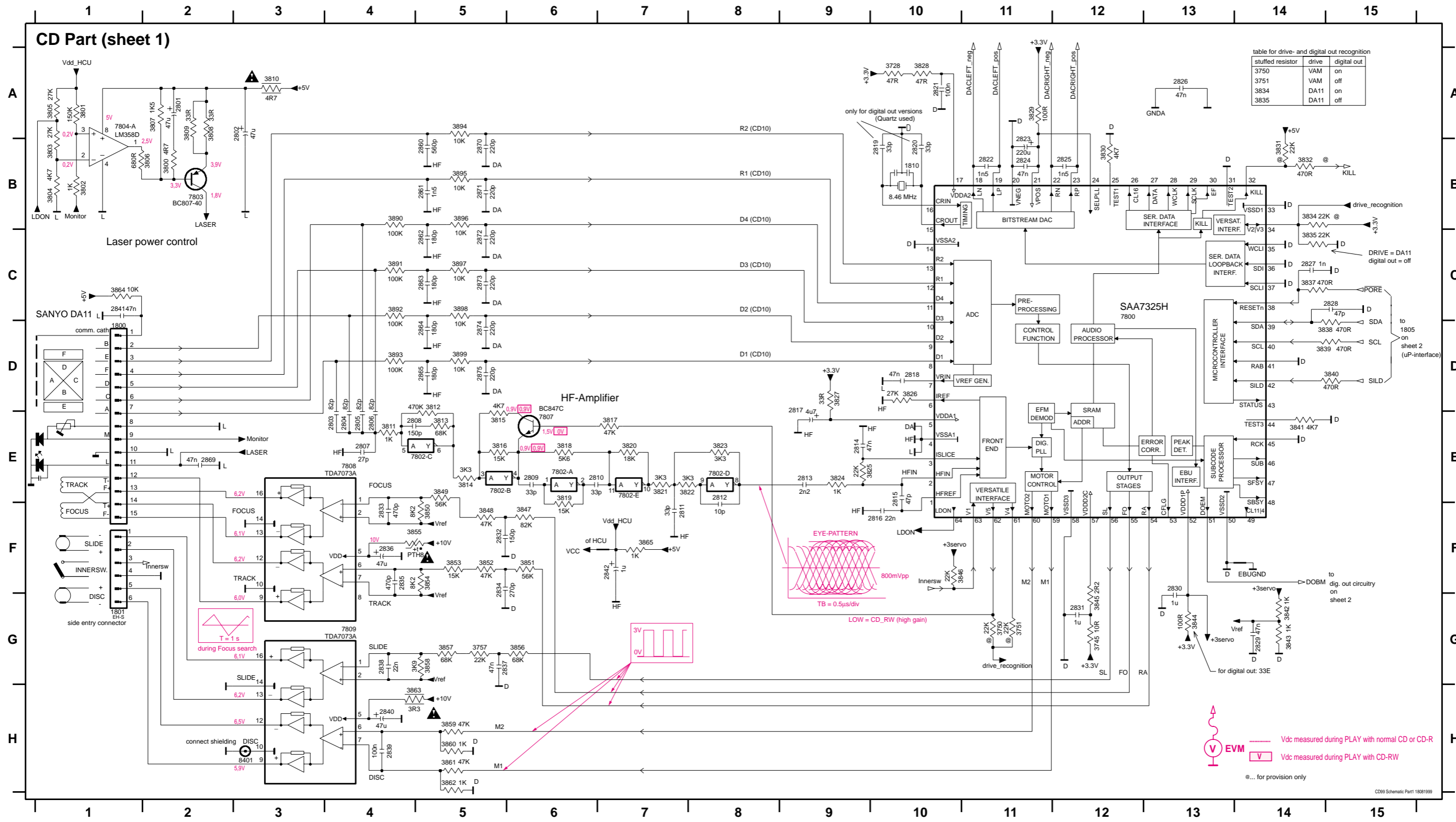
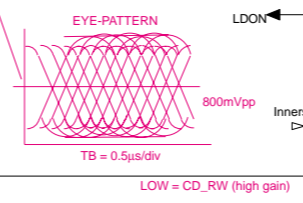


table for drive- and digital out recognition

stuffed resistor	drive	digital out
3750	VAM	on
3751	VAM	off
3834	DA11	on
3835	DA11	off

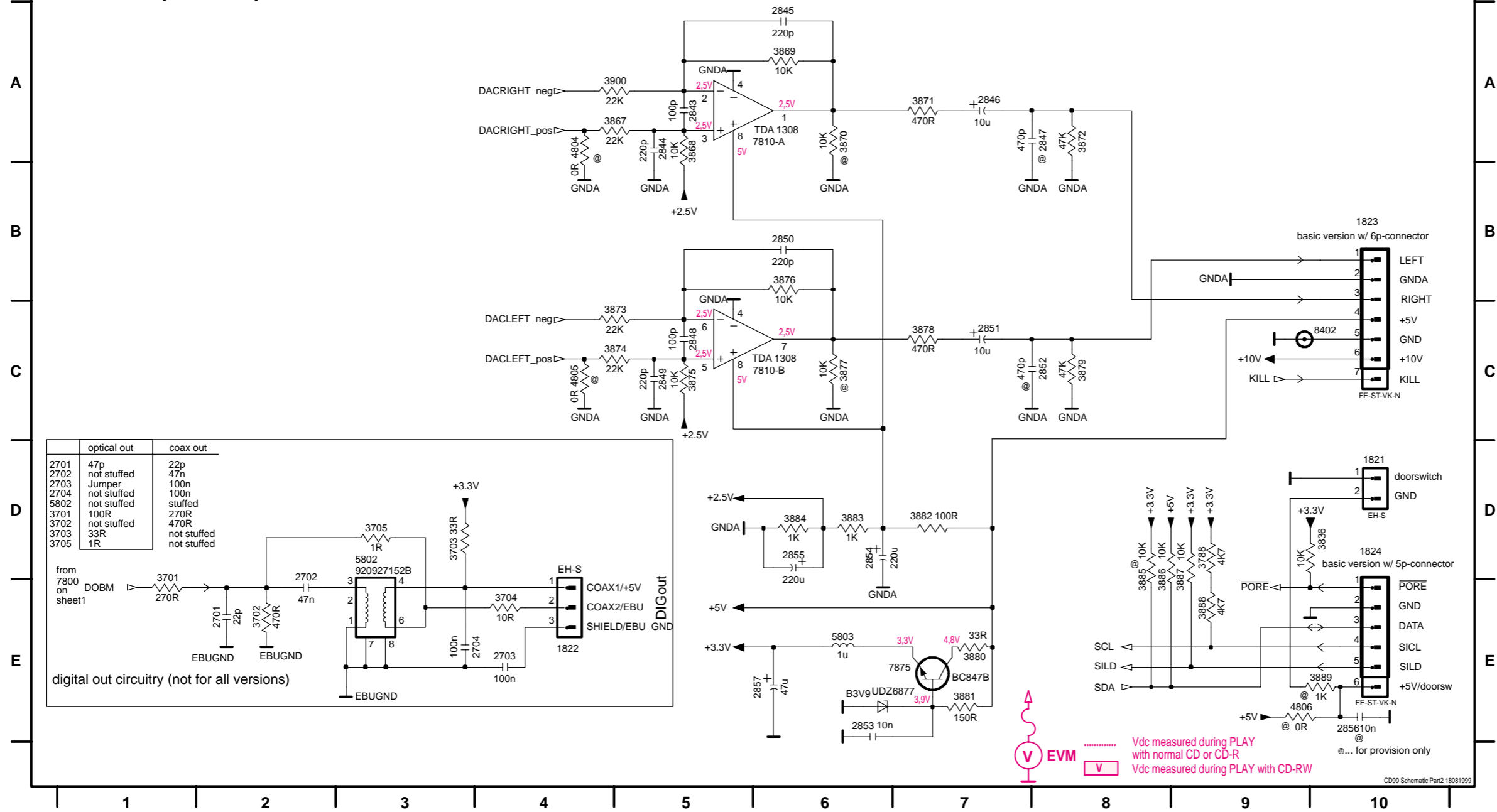


EVM Vdc measured during PLAY with normal CD or CD-R
 V Vdc measured during PLAY with CD-RW
 @... for provision only

CIRCUIT DIAGRAM - CD99/ DA11 BOARD (Part 2)

1821 D10	2702 E2	2845 A6	2850 B6	2855 D6	3703 D3	3867 A5	3872 A8	3877 C6	3882 D7	3887 E9	4805 C4	7810-A A5
1822 E4	2703 E4	2846 A7	2851 C7	2856 E10	3704 E4	3868 A5	3873 C5	3878 C7	3883 D6	3888 E9	4806 E9	7810-B C5
1823 B10	2704 E3	2847 A8	2852 C8	2857 E6	3705 D3	3869 A6	3874 C5	3879 C8	3884 D6	3889 E10	5802 D3	7875 E7
1824 D10	2843 A5	2848 C5	2853 E6	3701 E1	3788 E9	3870 A6	3875 C5	3880 E7	3885 E8	3900 A5	5803 E6	8402 C9
2701 E2	2844 A5	2849 C5	2854 D6	3702 E2	3836 D10	3871 A7	3876 B6	3881 E7	3886 E8	4804 A4	6877 E7	

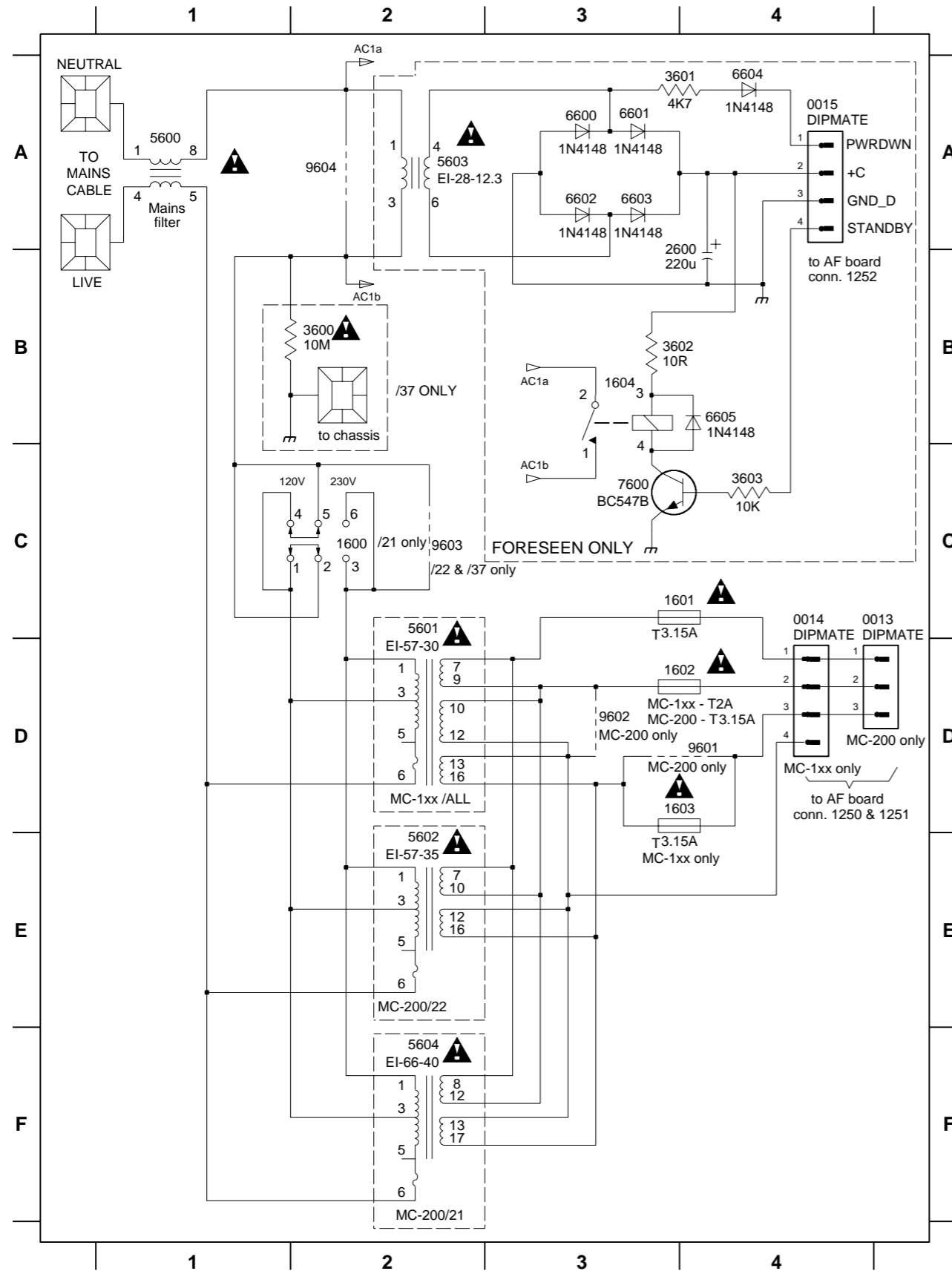
CD Part (sheet 2)



V EVM Vdc measured during PLAY with normal CD or CD-R
V Vdc measured during PLAY with CD-RW
 @... for provision only

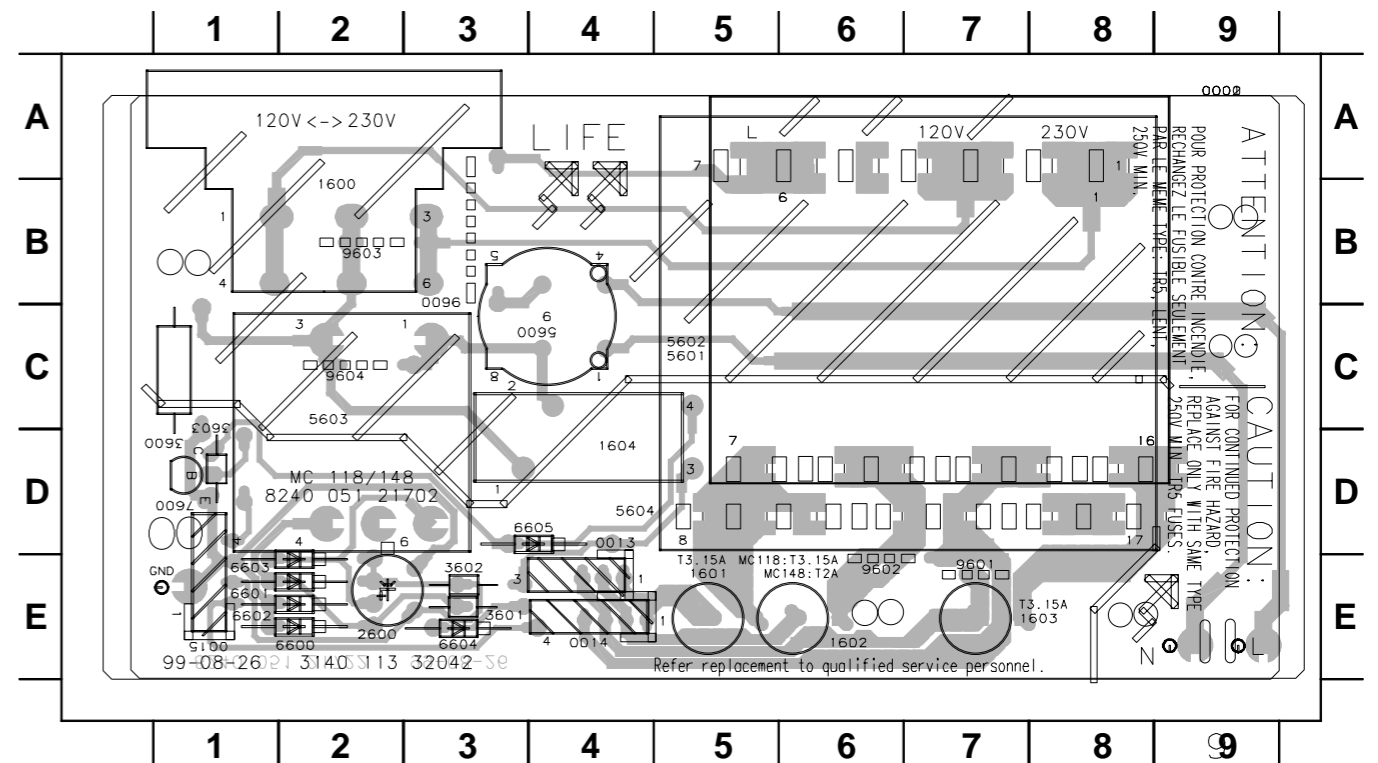
CIRCUIT DIAGRAM - POWER BOARD

0013 C4	1600 C2	1603 D3	3600 B2	3603 C4	5602 E2	6600 A3	6603 A3	7 600 C3	9603 C2
0014 C4	1601 C3	1604 B3	3601 A4	5600 A1	5603 A2	6601 A3	6604 A4	9601 D4	9604 A2
0015 A4	1602 D3	2600 B3	3602 B4	5601 C2	5604 F2	6602 A3	6605 B4	9602 D3	

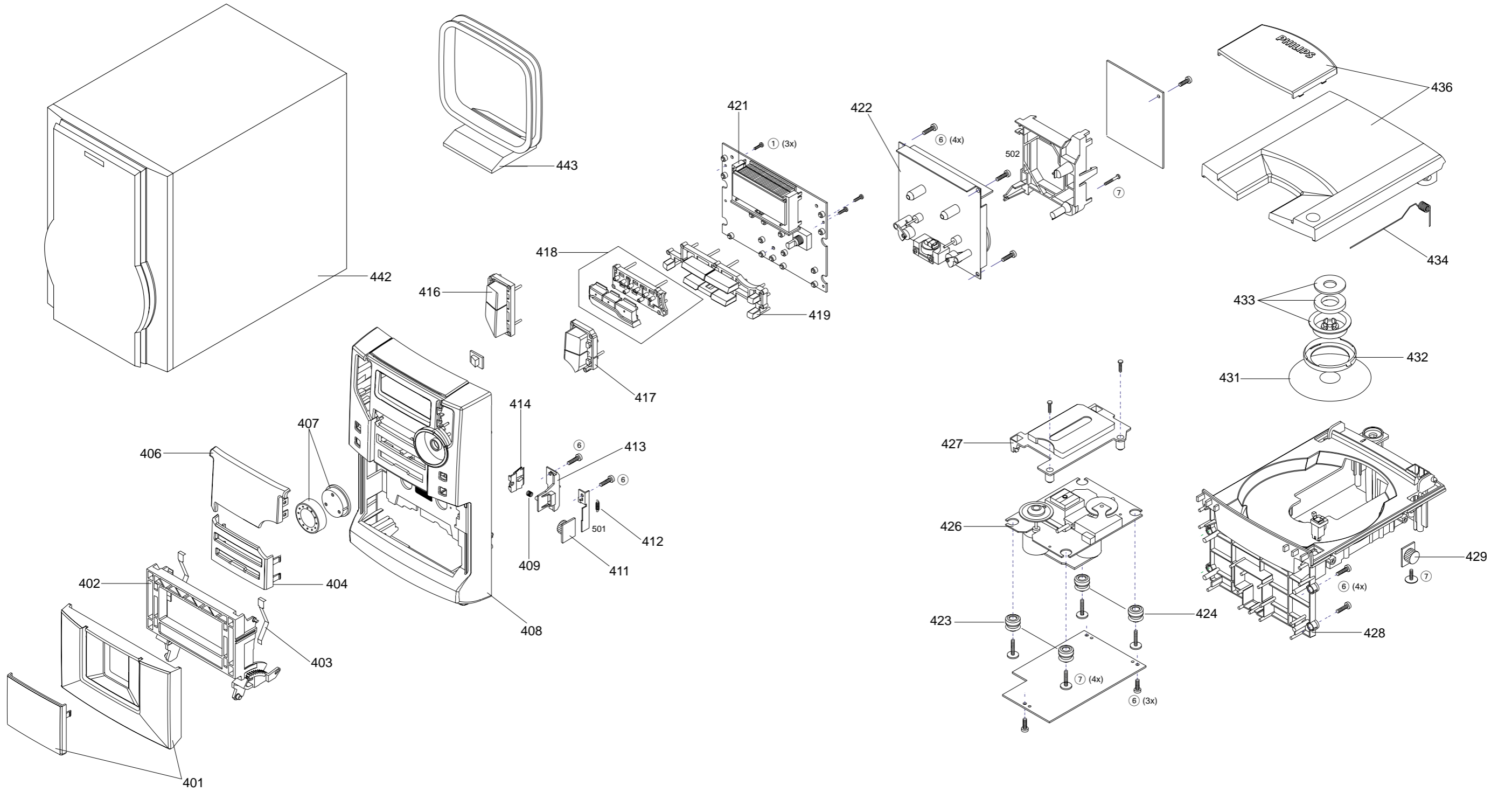


LAYOUT DIAGRAM - POWER BOARD

0000 A9	0015 E1	1604 D4	3603 C1	5604 D4	6604 E3	9602 E6
0001 A9	1600 B2	2600 E2	5600 C4	6600 E2	6605 D4	9603 B2
0002 A9	1601 E5	3600 D1	5601 C5	6601 E1	7600 D1	9604 C2
0013 D4	1602 E6	3601 E3	5602 C5	6602 E1	9600 B3	
0014 E4	1603 E8	3602 E3	5603 C2	6603 E1	9601 E7	



EXPLODED VIEW DIAGRAM

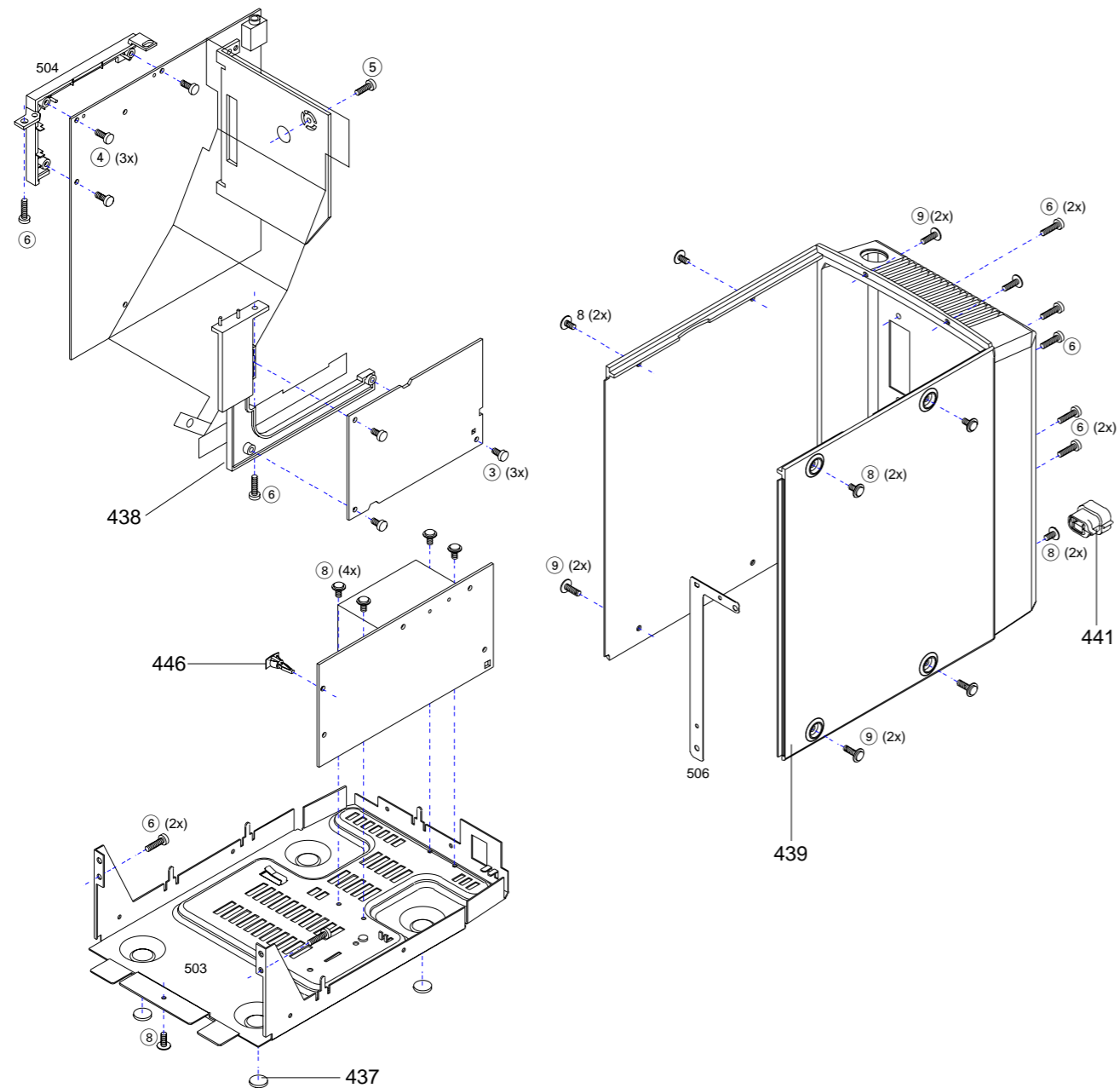


MECHANICAL PARTSLIST

ACCESSORIES

SCREW LIST

- ①. T2 x 10
- ②. T2.5 x 10
- ③. T3 x 6
- ④. T3 x 8
- ⑤. T3 x10
- ⑥. T3 x12
- ⑦. P/W C2.5 x 10
- ⑧. P/W T3 x 6
- ⑨. P/W T3 x 10



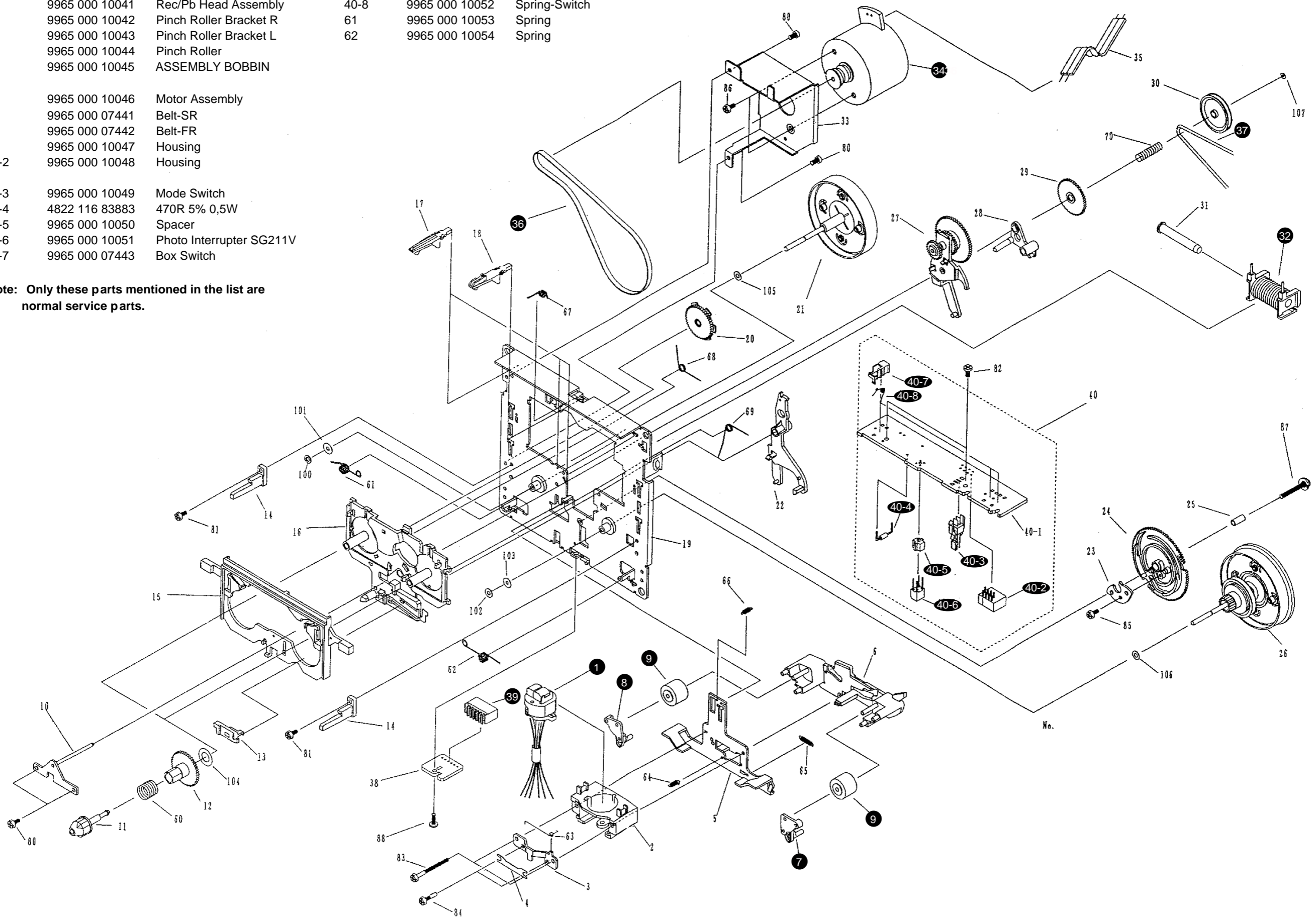
401	3140 117 61880	CASSETTE DOOR ASSY	3140 118 51000	LOUDSPEAKER BOX ASSY
402	3139 114 73920	DOOR CASSETTE ETF SD	3140 118 51010	REMOTE CONTROL
403	4822 492 42787	SPRING CASSETTE	4822 303 50063	FM AERIAL
404	3140 114 40100	FRONT CABINET COVER	4822 303 50082	MW LOOP AERIAL
406	3140 117 61850	FRONT WINDOW ASSY	3140 115 28690	I.F.U. /22
407	3140 117 59350	VOLUME KNOB ASSY	3140 115 28680	I.F.U. /21, /21M, /30
408	3140 117 61820	FRONT CABINET ASSY (/21 /30 /33)		
408	3140 117 61830	FRONT CABINET ASSY/ RDS (/22)		
409	4822 492 11344	SPRING COMPRESSION		
411	4822 529 10322	DAMPER ASSY		
412	4822 492 11345	SPRING TENSION		
413	4822 402 11246	BRACKET CASSETTE-RIGHT		
414	4822 402 10621	PUSH-CATCH		
416	3140 114 40010	FRONT KNOBS SOURCE		
417	3140 114 40020	FRONT KNOBS PROGRAM		
418	3140 117 61870	CHROME KNOBS ASSY		
419	3140 114 40110	FRONT KNOBS PRESET		
421	3140 114 29180	LCD HOLDER		
422	3139 118 78740	TAPE DECK CRL 4438		
423	4822 529 10387	DAMPER - RUBBER (40 DEG)		
424	4822 529 10386	DAMPER - RUBBER (30 DEG)		
426	3103 309 05290	CD DA11N DRIVE ASSY		
427	4822 529 10322	CD DRIVE COVER		
428	3140 114 42590	CD-TRAY		
429	4822 529 10322	DAMPER ASSY		
431	4822 535 60096	DISC		
432	4822 532 13153	RING (CD LID)		
433	4822 532 12798	PRESSURE RING ASSY		
434	4822 492 11741	SPRING CD		
436	3140 117 61840	CD DOOR ASSY		
437	4822 462 40692	RUBBER STAND		
438	3140 114 29310	TUNER BRACKET		
439	3140 114 40140	REAR CABINET		
441	3140 113 21880	MAINS CORD RELIEF		
446	4822 466 93148	PCB SPACER		

Note: Only these parts mentioned in the list are normal service parts.

EXPLODED VIEW DIAGRAM - ETF8 TAPE DECK

- | | | | | | |
|------|----------------|--------------------------|------|----------------|---------------|
| 1 | 9965 000 10041 | Rec/Pb Head Assembly | 40-8 | 9965 000 10052 | Spring-Switch |
| 7 | 9965 000 10042 | Pinch Roller Bracket R | 61 | 9965 000 10053 | Spring |
| 8 | 9965 000 10043 | Pinch Roller Bracket L | 62 | 9965 000 10054 | Spring |
| 9 | 9965 000 10044 | Pinch Roller | | | |
| 32 | 9965 000 10045 | ASSEMBLY BOBBIN | | | |
| | | | | | |
| 34 | 9965 000 10046 | Motor Assembly | | | |
| 36 | 9965 000 07441 | Belt-SR | | | |
| 37 | 9965 000 07442 | Belt-FR | | | |
| 39 | 9965 000 10047 | Housing | | | |
| 40-2 | 9965 000 10048 | Housing | | | |
| | | | | | |
| 40-3 | 9965 000 10049 | Mode Switch | | | |
| 40-4 | 4822 116 83883 | 470R 5% 0,5W | | | |
| 40-5 | 9965 000 10050 | Spacer | | | |
| 40-6 | 9965 000 10051 | Photo Interrupter SG211V | | | |
| 40-7 | 9965 000 07443 | Box Switch | | | |

Note: Only these parts mentioned in the list are normal service parts.



ELECTRICAL PARTSLIST - FRONT BOARD**MISCELLANEOUS**

1400	4822 276 13775	Switch-Push
1401	4822 276 13775	Switch-Push
1402	4822 276 13775	Switch-Push
1403	4822 276 13775	Switch-Push
1404	4822 276 13775	Switch-Push
1405	4822 276 13775	Switch-Push
1406	4822 276 13775	Switch-Push
1407	4822 276 13775	Switch-Push
1408	4822 276 13775	Switch-Push
1409	4822 276 13775	Switch-Push
1410	4822 276 13775	Switch-Push
1411	4822 276 13775	Switch-Push
1412	4822 276 13775	Switch-Push
1413	4822 276 13775	Switch-Push
1414	4822 276 13775	Switch-Push
1415	2422 129 16349	Rotary Encoder 24P
1416	2422 025 14546	FFC Socket 16P
1418	4822 265 11207	FFC Socket 6P
1420	4822 267 10956	FFC Socket 7P
1425	3140 110 51000	LCD Panel

CAPACITORS

2400	5322 126 11583	10nF 10% X7R 50V
2401	5322 126 11583	10nF 10% X7R 50V
2402	4822 124 23432	100µF 20% 10V
2403	4822 126 14305	100nF 10% X7R 16V
2404	4822 124 23432	100µF 20% 10V
2405	5322 126 11583	10nF 10% X7R 50V
2406	5322 126 11583	10nF 10% X7R 50V
2407	4822 126 14305	100nF 10% X7R 16V
2408	4822 126 14305	100nF 10% X7R 16V
2409	5322 126 11583	10nF 10% X7R 50V
2410	5322 126 11583	10nF 10% X7R 50V
2411	4822 122 33752	15pF 5% NP0 50V
2412	4822 122 33752	15pF 5% NP0 50V
2413	4822 122 33777	47pF 5% NP0 63V
2414	5322 126 11583	10nF 10% X7R 50V
2415	4822 126 11669	27pF 10% 50V
2416	4822 126 11669	27pF 10% 50V
2417	4822 124 40433	47µF 20% 25V
2418	5322 126 11578	1nF 10% X7R 50V
2419	4822 126 14305	100nF 10% X7R 16V
2420	5322 126 11583	10nF 10% X7R 50V
2421	5322 126 11583	10nF 10% X7R 50V
2422	4822 122 31765	100pF 2% NP0 63V
2423	4822 122 31765	100pF 2% NP0 63V
2424	4822 126 14305	100nF 10% X7R 16V

CAPACITORS

2425	2222 867 15339	33pF 5% NP0 50V
2426	4822 122 33761	22pF 5% NP0 50V
2427	4822 126 14249	560pF 10% X7R 50V
2428	4822 124 22652	2,2µF 20% 50V
2429	4822 126 12787	330pF 10% Y5V 50V
2430	5322 126 11578	1nF 10% X7R 50V
2431	4822 126 13193	4,7nF 10% X7R 63V
2432	4822 122 31765	100pF 2% NP0 63V
2433	4822 126 13881	470pF 5% 50V
2434	4822 122 31765	100pF 2% NP0 63V
2435	4822 126 13881	470pF 5% 50V
2436	4822 126 13881	470pF 5% 50V
2437	4822 126 13881	470pF 5% 50V
2438	4822 126 13881	470pF 5% 50V
2439	4822 126 13881	470pF 5% 50V
2440	4822 126 14238	2,2nF 20% 50V
2441	5322 126 11583	10nF 10% X7R 50V
2442	4822 126 13883	220pF 5% 50V
2443	4822 126 13883	220pF 5% 50V
2444	4822 126 13883	220pF 5% 50V
2445	4822 126 13883	220pF 5% 50V
2446	5322 126 11583	10nF 10% X7R 50V
2447	4822 126 13881	470pF 5% 50V
2448	4822 126 13881	470pF 5% 50V
2449	4822 126 13881	470pF 5% 50V
2450	4822 126 13881	470pF 5% 50V
2451	4822 126 13881	470pF 5% 50V

RESISTORS

3400	4822 116 52176	10R 5% 0,5W
3401	4822 116 52182	15R 5% 0,5W
3402	4822 116 52175	100R 5% 0,5W
3403	4822 051 30682	6K8 5% 0,1W
3404	4822 051 30332	3K3 5% 0,1W
3405	4822 050 11002	1K 1% 0,4W
3406	4822 117 13632	100K 1% 0,1W
3407	4822 051 30102	1K 5% 0,1W
3408	4822 051 30474	470K 5% 0,1W
3409	4822 051 30103	10K 5% 0,1W
3410	4822 116 52175	100R 5% 0,5W
3411	4822 117 13632	100K 1% 0,1W
3412	4822 051 30103	10K 5% 0,1W
3413	4822 051 30102	1K 5% 0,1W
3414	4822 051 30333	33K 5% 0,1W
3415	4822 051 30153	15K 5% 0,1W
3416	4822 116 83872	220R 5% 0,5W
3417	4822 051 30153	15K 5% 0,1W
3418	4822 051 30152	1K5 5% 0,1W
3419	4822 051 30152	1K5 5% 0,1W

ELECTRICAL PARTSLIST - FRONT BOARD**RESISTORS**

3420	4822 050 21003	10K 1% 0,6W
3421	4822 051 30562	5K6 5% 0,1W
3422	4822 116 83883	470R 5% 0,5W
3423	4822 050 11002	1K 1% 0,4W
3424	4822 051 30152	1K5 5% 0,1W
3425	4822 051 30222	2K2 5% 0,1W
3426	4822 051 30332	3K3 5% 0,1W
3427	4822 051 30562	5K6 5% 0,1W
3428	4822 051 30103	10K 5% 0,1W
3429	4822 050 21003	10K 1% 0,6W
3430	4822 051 30562	5K6 5% 0,1W
3431	4822 051 30471	470R 5% 0,1W
3432	4822 051 30102	1K 5% 0,1W
3433	4822 051 30152	1K5 5% 0,1W
3434	4822 051 30222	2K2 5% 0,1W
3435	4822 051 30332	3K3 5% 0,1W
3436	4822 051 30562	5K6 5% 0,1W
3437	4822 051 30223	22K 5% 0,1W
3438	4822 051 30223	22K 5% 0,1W
3439	4822 051 30102	1K 5% 0,1W
3440	4822 051 30102	1K 5% 0,1W
3441	4822 051 30102	1K 5% 0,1W
3442	4822 051 30333	33K 5% 0,1W
3443	4822 050 23303	33K 1% 0,6W
3444	4822 116 52175	100R 5% 0,5W
3445	4822 051 30222	2K2 5% 0,1W
3446	4822 117 12891	220K 1% 0,1W
3447	4822 051 30103	10K 5% 0,1W
3448	4822 116 52243	1K5 5% 0,5W
3449	4822 116 52257	22K 5% 0,5W
3450	4822 051 30103	10K 5% 0,1W
3451	4822 051 30471	470R 5% 0,1W
3452	4822 051 30103	10K 5% 0,1W
3453	4822 051 30102	1K 5% 0,1W
3454	4822 050 11002	1K 1% 0,4W
3455	4822 051 30102	1K 5% 0,1W
3456	4822 050 11002	1K 1% 0,4W
3457	4822 051 30103	10K 5% 0,1W
3458	4822 051 30102	1K 5% 0,1W
3459	4822 116 83872	220R 5% 0,5W
3460	4822 051 30471	470R 5% 0,1W
3461	4822 116 52283	4K7 5% 0,5W
3462	4822 051 30472	4K7 5% 0,1W
3463	4822 116 52283	4K7 5% 0,5W
3464	4822 051 30472	4K7 5% 0,1W
3465	4822 116 52283	4K7 5% 0,5W
3466	4822 051 30472	4K7 5% 0,1W
3467	4822 116 52256	2K2 5% 0,5W
3468	4822 051 30222	2K2 5% 0,1W
3469	4822 116 83883	470R 5% 0,5W

RESISTORS

3470	4822 051 30272	2K7 5% 0,1W
3471	4822 050 23303	33K 1% 0,6W
3472	4822 051 30474	470K 5% 0,1W
3473	4822 051 30472	4K7 5% 0,1W
3474	4822 050 11002	1K 1% 0,4W
3475	4822 051 30331	330R 5% 0,1W
3476	4822 116 83883	470R 5% 0,5W
3477	4822 051 30471	470R 5% 0,1W
3478	4822 116 83883	470R 5% 0,5W
3479	4822 051 30471	470R 5% 0,1W
3480	4822 050 11002	1K 1% 0,4W
3481	4822 051 30471	470R 5% 0,1W
3482	4822 050 11002	1K 1% 0,4W
3483	4822 051 30153	15K 5% 0,1W
3484	4822 051 30103	10K 5% 0,1W
3485	4822 116 52276	3K9 5% 0,5W
3486	4822 051 30101	100R 5% 0,1W
3487	4822 116 52276	3K9 5% 0,5W
3488	4822 051 30101	100R 5% 0,1W
3489	4822 050 11002	1K 1% 0,4W
3490	4822 051 30102	1K 5% 0,1W
3491	4822 050 11002	1K 1% 0,4W
3492	4822 051 30102	1K 5% 0,1W
3493	4822 050 11002	1K 1% 0,4W
3494	4822 051 30102	1K 5% 0,1W
3496	4822 051 30154	150K 5% 0,1W
3497	4822 051 30103	10K 5% 0,1W
4401	4822 051 20008	0R Jumper 0805
4410	4822 051 20008	0R Jumper 0805
4411	4822 051 20008	0R Jumper 0805
4412	4822 051 20008	0R Jumper 0805
4413	4822 051 20008	0R Jumper 0805
4414	4822 051 20008	0R Jumper 0805
4415	4822 051 20008	0R Jumper 0805
4416	4822 051 20008	0R Jumper 0805
4417	4822 051 20008	0R Jumper 0805
4418	4822 051 20008	0R Jumper 0805
4419	4822 051 20008	0R Jumper 0805

COILS AND FILTERS

5400	3198 018 11580	1,5µH 5%
5401	3198 018 11580	1,5µH 5%
5402	2422 540 98518	Resonator 8MHz
5403	2422 543 01069	Crystal 32,768kHz
5404	4822 242 11033	Crystal 4,332MHz

ELECTRICAL PARTSLIST - FRONT BOARD

DIODES

6400	4822 130 30621	1N4148
6401	4822 130 30621	1N4148

TRANSISTORS & IC

7400	3140 110 51200	TMP87CP23F / MC20
7402	4822 130 60511	BC847B
7403	4822 130 60511	BC847B
7404	9322 155 22667	REMOTE RECEIVER
7405	9322 140 83682	M24C01-BN6
7406	4822 209 31981	SAA6579T

Note: Only these parts mentioned in the list are normal service parts.

ELECTRICAL PARTSLIST - TUNER BOARD ECO6 (Cenelec)**MISCELLANEOUS**

1102	4822 267 10283	FM Ant. Socket
1103	4822 265 31184	AM Ant. Socket
1110	2422 542 90071	FM Frontend FE450-G01

CAPACITORS

2102	4822 126 14305	100nF 10% X7R 16V
2106	2020 800 00204	CTRM 4,2-20 pF N750
2107	4822 121 51319	1µF 10% 63V
2108	4822 122 31765	100pF 2% NP0 63V
2109	4822 122 33741	10pF 10% NP0 50V

2120	4822 122 33761	22pF 5% NP0 50V
2122	5322 126 11579	3,3nF 10% X7R 63V
2123	2238 861 18391	390pF 10% NP0 50V
2125	2238 861 18561	560pF 10% NP0 50V
2127	4822 126 13879	220nF +80-20% 16V

2128	4822 124 40248	10µF 20% 63V
2129	4822 124 41584	100µF 20% 10V
2130	4822 126 14494	22nF 10% X7R 25V
2131	3198 017 44740	470nF +80-20% 10V
2132	3198 017 44740	470nF +80-20% 10V

2133	4822 124 21913	1µF 20% 63V
2134	2020 552 94387	18nF 10% X7R 50V
2134	3198 017 31530	15nF 10% X7R 50V
2135	3198 017 31530	15nF 10% X7R 50V
2135	4822 122 33893	18nF10% X7R 63V

2136	4822 126 13879	220nF +80-20% 16V
2137	4822 126 13879	220nF +80-20% 16V
2138	4822 124 22652	2,2µF 20% 50V
2139	4822 122 33752	15pF 5% NP0 50V
2140	4822 126 14226	82pF 5% NP0 50V

2141	4822 126 14305	100nF 10% X7R 16V
2143	4822 126 13879	220nF +80-20% 16V
2144	4822 124 21913	1µF 20% 63V
2145	4822 126 13883	220pF 5% 50V
2146	4822 122 33575	220pF 5% NP0 63V

2147	4822 122 33575	220pF 5% NP0 63V
2148	4822 122 33127	2,2nF10% X7R 63V
2149	4822 126 11671	33pF 1% 50V
2150	4822 126 13838	100nF +80-20% 50V
2159	4822 126 11671	33pF 1% 50V

2162	4822 124 81151	22µF 20% 50V
2163	4822 126 14305	100nF 10% X7R 16V
2164	3198 017 44740	470nF +80-20% 10V
2165	4822 126 14305	100nF 10% X7R 16V
2166	5322 122 31647	1nF10% X7R 63V

2167	4822 126 11663	12pF 1% 50V
2169	4822 126 14238	2,2nF 20% X7R 50V
2180	5322 126 11583	10nF 10% X7R 50V
2191	4822 124 41584	100µF 20% 10V

RESISTORS

3105	4822 051 30221	220R 5% 0,1W
3108	4822 051 30222	2K2 5% 0,1W
3109	4822 051 30472	4K7 5% 0,1W
3123	4822 051 30472	4K7 5% 0,1W
3125	4822 051 30103	10K 5% 0,1W

3128	4822 051 30222	2K2 5% 0,1W
3130	4822 117 12968	820R 5% 0,6W
3131	4822 117 12968	820R 5% 0,6W
3132	4822 051 30479	47R 5% 0,1W
3134	4822 051 30223	22K 5% 0,1W

3135	4822 051 30102	1K 5% 0,1W
3137	4822 051 30223	22K 5% 0,1W
3141	4822 051 30563	56K 5% 0,1W
3142	4822 100 12159	100K 30%
3143	4822 051 30223	22K 5% 0,1W

3144	4822 051 30102	1K 5% 0,1W
3145	4822 051 30222	2K2 5% 0,1W
3146	4822 117 12139	22R 5% 0,1W
3150	4822 051 30103	10K 5% 0,1W
3151	4822 051 30683	68K 5% 0,1W

3152	4822 051 30471	470R 5% 0,1W
3153	4822 051 30471	470R 5% 0,1W
3154	4822 051 30331	330R 5% 0,1W
3155	4822 051 30151	150R 5% 0,1W
3158	4822 051 30471	470R 5% 0,1W

3159	4822 051 30471	470R 5% 0,1W
3160	4822 051 30471	470R 5% 0,1W
3161	4822 051 30223	22K 5% 0,1W
3167	4822 051 20121	120R 5% 0,1W
3168	4822 051 30121	120R 5% 0,1W

3169	4822 051 30154	150K 5% 0,1W
3171	4822 117 12925	47K 1% 0,1W
3172	4822 051 30562	5K6 5% 0,1W
3176	4822 051 30333	33K 5% 0,1W
3180	4822 051 30103	10K 5% 0,1W

3190	4822 051 30121	120R 5% 0,1W
3191	4822 051 30121	120R 5% 0,1W
3192	4822 051 30331	330R 5% 0,1W
3193	4822 051 30331	330R 5% 0,1W
3194	4822 051 30222	2K2 5% 0,1W

3195	4822 051 30101	100R 5% 0,1W
4105	4822 051 20008	0R Jumper 0805
4106	4822 051 30008	0R Jumper 0603
4107	4822 051 20008	0R Jumper 0805

ELECTRICAL PARTSLIST - TUNER BOARD ECO6 (Cenelec)**COILS AND FILTERS**

5102	4822 157 71634	MW Aerial Coil
5103	2422 549 44107	LW Aerial Coil
5109	4822 157 71639	FM IF SFE10,7MJA10H-A
5110	4822 242 70665	FM IF SFE10,7MS3-A
5111	2422 549 44023	AM IF 7PY 450KHZ
5112	4822 157 70302	AM IF F7MCS-12216N
5114	4822 157 70302	AM IF F7MCS-12216N
5115	4822 157 71636	Birdie Filter Coil
5118	2422 535 95881	Inductor 0,1 μ H 5%
5119	4822 157 11443	FM Disc 2,4 μ H 10,7MHz
5121	4822 242 10261	Crystal 75KHz T6252F00
5122	2422 549 44108	MW Osc Coil
5123	2422 549 44108	LW Osc Coil

DIODES

6105	4822 130 83075	HN1V02H-B
6106	4822 130 83757	BAS216
6107	9340 386 90115	BZX284-C11
6120	4822 130 83757	BAS216

TRANSISTORS & IC

7101	9351 772 20557	TEA5762H/V1
7103	5322 130 42756	BC857C
7104	4822 130 40855	BC337
7105	4822 130 40855	BC337
7109	4822 130 60373	BC856B
7110	4822 130 60373	BC856B
7112	4822 130 44503	BC547C
7122	5322 130 42755	BC847C
7124	5322 130 42755	BC847C

ELECTRICAL PARTSLIST - TUNER BOARD ECO6 (Non cenelec)**MISCELLANEOUS**

1102	4822 267 10283	FM Ant. Socket
1103	4822 265 31184	AM Ant. Socket
1120	4822 265 11515	FFC Socket 8P

CAPACITORS

2101	4822 122 33777	47pF 5% NP0 63V
2102	4822 126 14305	100nF 10% X7R 16V
2103	5322 126 11578	1nF 10% X7R 50V
2104	4822 122 31765	100pF 2% NP0 63V
2106	2020 800 00191	CTRM 3P-11P N450

2107	4822 121 51319	1µF 10% 63V
2120	4822 126 14507	18pF 5% 50V
2124	4822 126 14494	22nF 10% X7R 25V
2125	2238 861 18561	560pF 1% NP0 50V
2126	4822 126 14241	330pF 10% NP0 50V

2127	4822 126 13879	220nF +80-20% 16V
2128	4822 124 40248	10µF 20% 63V
2129	4822 124 41584	100µF 20% 10V
2130	4822 126 14494	22nF 10% X7R 25V
2131	3198 017 44740	470nF +80-20% 10V

2132	3198 017 44740	470nF +80-20% 10V
2133	4822 124 21913	1µF 20% 63V
2134	3198 017 31530	15nF 20% X7R 50V
2135	3198 017 31530	15nF 20% X7R 50V
2136	4822 126 13879	220nF +80-20% 16V

2137	4822 126 13879	220nF +80-20% 16V
2138	4822 124 22652	2,2µF 20% 50V
2139	4822 122 33752	15pF 5% NP0 50V
2140	4822 126 14226	82pF 5% NP0 50V
2141	4822 126 14305	100nF 10% X7R 16V

2143	4822 126 13879	220nF +80-20% 16V
2144	4822 124 21913	1µF 20% 63V
2145	4822 126 13883	220pF 5% 50V
2146	4822 126 13883	220pF 5% 50V
2147	4822 126 13883	220pF 5% 50V

2148	4822 126 14238	2,2nF 10% X7R 50V
2150	4822 126 14585	100nF 10% X7R 50V
2152	4822 126 14549	33nF 10% 16V
2153	4822 122 33752	15pF 5% NP0 50V
2155	2020 800 00191	CTRM 3P-11P N450

2159	4822 126 11671	33pF 1% 50V
2164	3198 017 44740	470nF +80-20% 10V
2165	4822 126 14305	100nF 10% X7R 16V
2166	5322 126 11578	1nF 10% X7R 50V
2167	4822 126 11663	12pF 1% 50V

RESISTORS

3101	4822 051 30333	33K 5% 0,1W
3102	4822 117 13632	100K 1% 0,62W
3103	4822 117 12902	8K2 1% 0,1W
3104	4822 117 13577	330R 1% 0,25W
3105	4822 051 30221	220R 5% 0,1W

3132	4822 051 30479	47R 5% 0,1W
3134	4822 051 30223	22K 5% 0,1W
3141	4822 051 30563	56K 5% 0,1W
3142	4822 100 12159	100K 30% Var.
3145	4822 051 30222	2K2 5% 0,1W

3146	4822 117 12139	22R 5% 0,1W
3152	4822 051 30471	470R 5% 0,1W
3153	4822 051 30471	470R 5% 0,1W
3154	4822 051 30331	330R 5% 0,1W
3155	4822 051 30221	220R 5% 0,1W

3156	4822 117 13632	100K 1% 0,62W
3158	4822 051 30471	470R 5% 0,1W
3159	4822 051 30471	470R 5% 0,1W
3160	4822 051 30471	470R 5% 0,1W
3161	4822 051 20223	22K 5% 0,1W

3167	4822 051 20121	120R 5% 0,1W
3168	4822 051 30121	120R 5% 0,1W
3169	4822 051 30154	150K 5% 0,1W
3170	4822 117 13632	100K 1% 0,62W
3172	4822 051 30562	5K6 5% 0,1W

3181	4822 051 30102	1K 5% 0,1W
4103	4822 051 30008	0R Jumper 0603
4106	4822 051 20008	0R Jumper 0805
4107	4822 051 30008	0R Jumper 0603
4108	4822 051 30008	0R Jumper 0603

COILS AND FILTERS

5102	4822 157 71634	MW Aerial Coil
5109	4822 242 70665	FM IF SFE10,7MS3-A
5110	4822 242 70665	FM IF SFE10,7MS3-A
5111	2422 549 44023	AM IF 7PY 450KHZ
5112	4822 157 70302	AM IF F7MCS-12216N

5114	4822 157 70302	AM IF F7MCS-12216N
5119	4822 157 11443	FM Disr 2,4µH 10,7MHz
5121	4822 242 10261	Crystal 75KHz T6252F00
5123	2422 549 44108	MW Osc Coil
5130	4822 157 11843	FM RF Coil

5131	4822 157 11843	FM RF Coil
------	----------------	------------

ELECTRICAL PARTSLIST - TUNER BOARD ECO6 (Non cenelec)

DIODES

6103	5322 130 34337	BAV99
6105	4822 130 83075	HN1V02H-B
6106	4822 130 83757	BAS216
6107	9340 386 90115	BZX284-C11
6130	4822 130 82833	1SV228
6131	4822 130 82833	1SV228

TRANSISTORS & IC

7101	9351 740 80557	TEA5757H/V1
7102	4822 130 42131	BF550
7111	5322 130 42755	BC847C
7112	4822 130 40959	BC547B

ELECTRICAL PARTSLIST - ETF8 SD BOARD**- CAPACITORS -**

2621	5322 126 11578	1nF 10% X7R 50V
2622	4822 126 13881	470pF 5% 50V
2623	4822 126 13881	470pF 5% 50V
2625	4822 126 14305	100nF 10% X7R 16V
2701	4822 122 31765	100pF 2% NP0 63V

2702	4822 122 31765	100pF 2% NP0 63V
2703	4822 122 31765	100pF 2% NP0 63V
2704	4822 122 31765	100pF 2% NP0 63V
2709	5322 126 11578	1nF 10% X7R 50V
2710	5322 126 11578	1nF 10% X7R 50V

2711	4822 122 31765	100pF 2% NP0 63V
2712	4822 122 31765	100pF 2% NP0 63V
2713	5322 121 42386	100nF 5% 63V
2714	5322 121 42386	100nF 5% 63V
2715	4822 124 41584	100µF 20% 10V

2716	4822 124 41584	100 F 20% 10V
2717	3198 017 31530	15nF 20% X7R 50V
2718	3198 017 31530	15nF 20% X7R 50V
2719	4822 126 14549	33nF 10% X7R 16V
2720	4822 126 14549	33nF 10% X7R 16V

2721	3198 017 41050	1µF 20% Y5V 10V
2722	3198 017 41050	1µF 20% Y5V 10V
2723	4822 126 14238	2,2nF 20% X7R 50V
2724	4822 126 14238	2,2nF 20% X7R 50V
2725	4822 126 13883	220pF 5% 50V

2727	4822 126 14238	2,2nF 20% X7R 50V
2728	4822 126 14238	2,2nF 20% X7R 50V
2729	4822 126 14494	22nF 10% X7R 25V
2730	4822 126 14494	22nF 10% X7R 25V
2731	5322 126 11578	1nF 10% X7R 50V

2732	3198 017 41050	1µF 20% Y5V 10V
2743	4822 126 14494	22nF 10% X7R 25V
2747	4822 126 14549	33nF 10% X7R 16V
2761	4822 124 40196	220µF 20% 16V
2768	4822 124 40756	1µF 20% 100V

2769	4822 126 14238	2,2nF 20% X7R 50V
2770	4822 126 14238	2,2nF 20% X7R 50V
2780	4822 124 81151	22µF 20% 50V
2781	5322 126 11583	10nF 10% X7R 50V
2782	4822 126 13193	4,7nF 10% X7R 63V

2784	4822 121 51305	15nF 10% 50V
2785	4822 124 21913	1µF 20% 63V
2786	4822 122 31765	100pF 2% NP0 63V
2787	4822 126 14549	33nF 10% X7R 16V
2782	4822 126 13193	4,7nF 10% X7R 63V

2784	4822 121 51305	15nF 10% 50V
2785	4822 124 21913	1µF 20% 63V
2786	4822 122 31765	100pF 2% NP0 63V
2787	4822 126 14549	33nF 10% X7R 16V
2788	4822 126 14494	22nF 10% X7R 25V

- CAPACITORS -

2789	4822 126 14549	33nF 10% X7R 16V
2790	4822 126 14247	1,5nF 20% X7R 50V
2791	4822 126 14247	1,5nF 20% X7R 50V
2793	4822 126 13883	220pF 5% 50V
2794	4822 126 13883	220pF 5% 50V

2795	4822 124 40756	1µF 20% 100V
2796	4822 124 40433	47µF 20% 25V
2797	4822 124 81151	22µF 20% 50V
2798	4822 124 21732	10µF 20% 25V
2799	4822 126 14305	100nF 10% X7R 16V

RESISTORS

2732	4822 117 11817	1,2K 1% 0,1W
3607	4822 051 30222	2,2K 5% 0,1W
3608	4822 051 30273	27K 5% 0,1W
3609	4822 051 30222	2,2K 5% 0,1W
3610	4822 051 20124	120K 5% 0,1W

3611	4822 051 30222	2,2K 5% 0,1W
3612	4822 051 30563	56K 5% 0,1W
3614	4822 051 30273	27K 5% 0,1W
3624	4822 117 13632	100K 1% 0,1W
3626	4822 051 30102	1K 5% 0,1W

3628	4822 117 13632	100K 1% 0,1W
3630	4822 051 30471	470R 5% 0,1W
3678	4822 117 12925	47K 1% 0,1W
3680	4822 117 12925	47K 1% 0,1W
3686	4822 117 13632	100K 1% 0,1W

3709	4822 051 30339	33R 5% 0,1W
3710	4822 051 30339	33R 5% 0,1W
3711	4822 051 30101	100R 5% 0,1W
3712	4822 051 30101	100R 5% 0,1W
3717	4822 117 11817	1,2K 1% 0,1W

3718	4822 117 11817	1,2K 1% 0,1W
3719	4822 051 30272	2,7K 5% 0,1W
3720	4822 051 30272	2,7K 5% 0,1W
3721	4822 051 30562	5,6K 5% 0,1W
3722	4822 051 30562	5,6K 5% 0,1W

3723	4822 051 30183	18K 5% 0,1W
3724	4822 051 30183	18K 5% 0,1W
3733	4822 051 30273	27K 5% 0,1W
3734	4822 051 30273	27K 5% 0,1W
3735	4822 051 30223	22K 5% 0,1W

3736	4822 051 30223	22K 5% 0,1W
3737	4822 051 30102	1K 5% 0,1W
3738	4822 051 30102	1K 5% 0,1W
3739	4822 117 12925	47K 1% 0,1W
3740	4822 117 12925	47K 1% 0,1W

ELECTRICAL PARTSLIST - ETF8 SD BOARD**RESISTORS**

3743	4822 051 30563	56K 5% 0,1W
3744	4822 051 30563	56K 5% 0,1W
3745	4822 117 11817	1,2K 1% 0,1W
3746	4822 117 11817	1,2K 1% 0,1W
3749	4822 051 30121	120R 5% 0,1W
3750	4822 051 30121	120R 5% 0,1W
3762	4822 117 12968	820R 5% 0,1W
3764	4822 051 30181	180R 5% 0,1W
3768	4822 051 30103	10K 5% 0,1W
3769	4822 051 30223	22K 5% 0,1W
3770	4822 051 30152	1,5K 5% 0,1W
3771	4822 117 11817	1,2K 1% 0,1W
3772	4822 051 30153	15K 5% 0,1W
3774	4822 051 30183	18K 5% 0,1W
3775	4822 117 13608	4,7R 5% 0,1W
3776	4822 051 30682	6,8K 5% 0,1W
3777	4822 051 30151	150R 5% 0,1W
3778	4822 052 10688	6,8R 5% 0,33W
3779	4822 051 30334	330K 5% 0,1W
3780	4822 051 30105	1M 5% 0,1W
3781	4822 051 30475	4,7M 5% 0,1W
3786	4822 051 30223	22K 5% 0,1W
3789	4822 117 12925	47K 1% 0,1W
3790	4822 051 30223	22K 5% 0,1W
3791	4822 051 30273	27K 5% 0,1W
3792	4822 117 12925	47K 1% 0,1W
3793	4822 117 12925	47K 1% 0,1W
3794	4822 051 30102	1K 5% 0,1W
3795	4822 051 30102	1K 5% 0,1W
3796	4822 051 30475	4,7M 5% 0,1W
3797	4822 051 30563	56K 5% 0,1W
3800	4822 051 30273	27K 5% 0,1W
4701	4822 051 30008	OR JUMPER 0603
4702	4822 051 30008	OR JUMPER 0603
4705	4822 051 30008	OR JUMPER 0603
4707	4822 051 30008	OR JUMPER 0603
4708	4822 051 30008	OR JUMPER 0603
4709	4822 051 30008	OR JUMPER 0603
4710	4822 051 30008	OR JUMPER 0603
4711	4822 051 30008	OR JUMPER 0603
4712	4822 051 30008	OR JUMPER 0603
4718	4822 051 30008	OR JUMPER 0603
4719	4822 051 30008	OR JUMPER 0603
4720	4822 051 30008	OR JUMPER 0603
4721	4822 051 30008	OR JUMPER 0603
4723	4822 051 30008	OR JUMPER 0603
4725	4822 051 30008	OR JUMPER 0603
4726	4822 051 30008	OR JUMPER 0603
4727	4822 051 30008	OR JUMPER 0603
4729	4822 051 30008	OR JUMPER 0603

RESISTORS

4730	4822 051 30008	OR JUMPER 0603
4731	4822 051 30008	OR JUMPER 0603
4732	4822 051 30008	OR JUMPER 0603
4733	4822 051 30008	OR JUMPER 0603
4734	4822 051 30008	OR JUMPER 0603
4735	4822 051 30008	OR JUMPER 0603
4738	4822 051 30008	OR JUMPER 0603
4739	4822 051 30008	OR JUMPER 0603
4741	4822 051 30008	OR JUMPER 0603
4746	4822 051 30008	OR JUMPER 0603
4747	4822 051 30008	OR JUMPER 0603

COILS & FILTERS

5701	4822 157 62552	Coil 2,2 μ H 5%
5703	4822 156 20946	Osc Coil 100MHz

DIODES

6612	4822 130 31878	1N4003G
6770	4822 130 30621	1N4148
6771	4822 130 30621	1N4148
6772	4822 130 30621	1N4148
6773	4822 130 30621	1N4148
6774	4822 130 30621	1N4148
6776	4822 130 30621	1N4148
6777	3198 010 58280	BZX79-B8V2
6778	4822 130 30621	1N4148

TRANSISTORS & IC

7610	5322 209 11306	HEF4094BT
7612	4822 130 11201	PMBT2907
7614	4822 130 11201	PMBT2907
7618	4822 130 60511	BC847B
7620	4822 130 60511	BC847B
7624	4822 130 60511	BC847B
7720	9322 167 09668	AN17150ATA
7780	4822 130 60511	BC847B
7781	4822 130 42804	BC817-25
7782	4822 130 44568	BC557B
7783	4822 130 60511	BC847B
7784	4822 130 60373	BC856B
7786	4822 130 63494	FET J111
7788	4822 130 60511	BC847B
7789	4822 130 60511	BC847B
7790	4822 130 60511	BC847B

ELECTRICAL PARTSLIST - ETF8 SD BOARD

MISCELLANEOUS

1701	4822 267 10953	FFC Socket 7 pin Ver.
1706	4822 267 10953	FFC Socket 7 pin Ver.
1710	4822 267 10958	FFC Socket 5 pin Hor.
1760	4822 265 11535	FFC Socket 8 pin Hor.

Note: Only these parts mentioned in the list are normal service parts.

ELECTRICAL PARTSLIST - CD99/DA11 BOARD

MISCELLANEOUS

1800	4822 265 10925	FFC Socket 15P
1823	4822 265 11207	FFC Socket 6P
1824	4822 265 11207	FFC Socket 6P

CAPACITORS

2801	4822 124 41751	47µF 20% 50V
2802	4822 124 41751	47µF 20% 50V
2803	4822 126 14226	82pF 5% NP0 50V
2804	4822 126 14226	82pF 5% NP0 50V
2805	4822 126 14226	82pF 5% NP0 50V
2806	4822 126 13695	82pF 1% NP0 63V
2807	4822 126 11669	27pF 5% 50V
2808	5322 122 33538	150pF 2% NP0 63V
2809	4822 126 11669	27pF 5% 50V
2810	4822 126 13692	47pF 1% NP0 63V
2811	4822 126 11671	33pF 5% 50V
2812	4822 122 33741	10pF 10% NP0 50V
2813	4822 126 14238	2,2nF X7R 50V
2814	3198 024 44730	47nF Y5V 50V
2815	4822 122 33777	47pF 5% NP0 63V
2816	5322 122 32654	22nF 10% 63V
2817	4822 124 40769	4,7µF 20% 100V
2818	3198 024 44730	47nF Y5V 50V
2821	4822 126 14305	100nF 10% X7R 16V
2822	4822 126 13344	1,5nF 5% 63V
2823	4822 124 42383	220µF 20% 4V
2824	4822 126 13751	47nF 10% X7R 63V
2825	4822 126 13344	1,5nF 5% 63V
2826	3198 024 44730	47nF Y5V 50V
2827	5322 126 11578	1nF 10% X7R 50V
2828	4822 122 33777	47pF 5% NP0 63V
2829	3198 024 44730	47nF Y5V 50V
2830	3198 017 41050	1µF Y5V 10V
2831	4822 126 14043	1µF +80-20% 16V
2832	4822 122 33753	150pF 5% NP0 50V
2833	4822 126 13881	470pF 5% 50V
2834	4822 126 14506	270pF 5% 50V
2835	4822 126 13881	470pF 5% 50V
2836	4822 124 41751	47µF 20% 50V
2837	3198 024 44730	47nF Y5V 50V
2838	3198 017 42230	22nF Y5V 50V
2839	4822 126 14305	100nF 10% X7R 16V
2840	4822 124 41751	47µF 20% 50V
2841	4822 126 13751	47nF 10% X7R 63V
2842	4822 124 21913	1µF 20% 63V
2843	4822 122 31765	100pF 2% NP0 63V
2844	4822 126 13883	220pF 5% 50V
2845	4822 126 13883	220pF 5% 50V
2846	4822 124 40248	10µF 20% 63V
2848	4822 122 31765	100pF 2% NP0 63V

CAPACITORS

2849	4822 126 13883	220pF 5% 50V
2850	4822 126 13883	220pF 5% 50V
2851	4822 124 40248	10µF 20% 63V
2853	5322 126 11583	10nF 10% X7R 50V
2854	4822 124 11912	220µF 20% 6,3V
2855	4822 124 11912	220µF 20% 6,3V
2857	4822 124 12362	47µF 20% 4V
2860	5322 116 80853	560pF 5% 63V
2861	4822 126 13344	1,5nF 5% 63V
2862	4822 126 14508	180pF 5% 50V
2863	4822 126 14508	180pF 5% 50V
2864	4822 126 14508	180pF 5% 50V
2865	4822 126 14508	180pF 5% 50V
2869	3198 024 44730	47nF Y5V 50V
2870	4822 126 13883	220pF 5% 50V
2871	4822 126 13883	220pF 5% 50V
2872	4822 126 13883	220pF 5% 50V
2873	4822 126 13883	220pF 5% 50V
2874	4822 126 13883	220pF 5% 50V
2875	4822 126 13883	220pF 5% 50V

RESISTORS

3728	4822 051 20479	47R 5% 0,1W
3745	4822 051 30338	3R3 5% 0,1W
3757	4822 051 20223	22K 5% 0,1W
3788	4822 051 20472	4K7 5% 0,1W
3800	4822 117 13608	4R7 5% 0,1W
3801	4822 051 30154	150K 5% 0,1W
3802	4822 051 30102	1K 5% 0,1W
3803	4822 051 30273	27K 5% 0,1W
3804	4822 051 30472	4K7 5% 0,1W
3805	4822 051 30273	27K 5% 0,1W
3806	4822 117 10361	680R 1% 0,1W
3807	4822 051 30152	1K5 5% 0,1W
3808	4822 051 30339	33R 5% 0,1W
3809	4822 051 30339	33R 5% 0,1W
3810	4822 052 10478	4R7 5% 0,33W
3811	4822 051 30102	1K 5% 0,1W
3812	4822 051 30474	470K 5% 0,1W
3813	4822 051 30683	68K 5% 0,1W
3814	4822 051 30332	3K3 5% 0,1W
3815	4822 051 30472	4K7 5% 0,1W
3816	4822 051 30153	15K 5% 0,1W
3817	4822 117 10834	47K 1% 0,1W
3818	4822 051 20562	5K6 5% 0,1W
3819	4822 051 30153	15K 5% 0,1W
3820	4822 051 30183	18K 5% 0,1W

ELECTRICAL PARTSLIST - CD99/DA11 BOARD**RESISTORS**

3821	4822 051 20332	3K3 5% 0,1W
3822	4822 051 30332	3K3 5% 0,1W
3823	4822 051 20332	3K3 5% 0,1W
3824	4822 051 30102	1K 5% 0,1W
3825	4822 051 30223	22K 5% 0,1W
3826	4822 051 30273	27K 5% 0,1W
3827	4822 051 20339	33R 5% 0,1W
3828	4822 051 20479	47R 5% 0,1W
3829	4822 051 30101	100R 5% 0,1W
3830	4822 051 30472	4K7 5% 0,1W
3835	4822 051 30223	22K 5% 0,1W
3836	4822 117 10833	10K 1% 0,1W
3837	4822 051 20471	470R 5% 0,1W
3838	4822 051 20471	470R 5% 0,1W
3839	4822 051 30471	470R 5% 0,1W
3840	4822 051 30471	470R 5% 0,1W
3841	4822 051 30472	4K7 5% 0,1W
3842	4822 051 10102	1K 2% 0,25W
3843	4822 051 30102	1K 5% 0,1W
3844	4822 051 30101	100R 5% 0,1W
3845	2120 108 92668	3R3 5% 0,1W
3846	4822 051 20223	22K 5% 0,1W
3847	4822 117 12864	82K 5% 0,6W
3848	4822 117 10834	47K 1% 0,1W
3849	4822 051 30563	56K 5% 0,1W
3850	4822 117 12902	8K2 1% 0,1W
3851	4822 051 30563	56K 5% 0,1W
3852	4822 117 10834	47K 1% 0,1W
3853	4822 051 30153	15K 5% 0,1W
3854	4822 117 12902	8K2 1% 0,1W
3855	4822 116 40227	4R6 25% 12V
3856	4822 051 20683	68K 5% 0,1W
3857	4822 051 20154	150K 5% 0,1W
3858	4822 051 30392	3K9 5% 0,1W
3859	4822 117 10834	47K 1% 0,1W
3860	4822 051 30102	1K 5% 0,1W
3861	4822 117 10834	47K 1% 0,1W
3862	4822 051 10102	1K 2% 0,25W
3863	4822 052 10338	3R3 5% 0,33W
3864	4822 117 10833	10K 1% 0,1W
3865	4822 051 30102	1K 5% 0,1W
3867	4822 051 20223	22K 5% 0,1W
3868	4822 051 30103	10K 5% 0,1W
3869	4822 051 30103	10K 5% 0,1W
3871	4822 051 30471	470R 5% 0,1W
3872	4822 117 12925	47K 1% 0,1W
3873	4822 051 30223	22K 5% 0,1W
3874	4822 051 30223	22K 5% 0,1W
3875	4822 051 30103	10K 5% 0,1W
3876	4822 051 30103	10K 5% 0,1W

RESISTORS

3878	4822 051 30471	470R 5% 0,1W
3879	4822 117 12925	47K 1% 0,1W
3880	4822 051 20339	33R 5% 0,1W
3881	4822 051 30151	150R 5% 0,1W
3882	4822 117 11373	100R 1% 0,1W
3883	4822 051 30102	1K 5% 0,1W
3884	4822 051 30102	1K 5% 0,1W
3886	4822 117 10833	10K 1% 0,1W
3887	4822 117 10833	10K 1% 0,1W
3888	4822 051 20472	4K7 5% 0,1W
3889	4822 051 30102	1K 5% 0,1W
3890	4822 117 10837	100K 1% 0,1W
3891	4822 117 10837	100K 1% 0,1W
3892	4822 117 13632	100K 1% 0,62W
3893	4822 117 13632	100K 1% 0,62W
3894	4822 117 10833	10K 1% 0,1W
3895	4822 117 10833	10K 1% 0,1W
3896	4822 117 10833	10K 1% 0,1W
3897	4822 117 10833	10K 1% 0,1W
3898	4822 117 10833	10K 1% 0,1W
3899	4822 117 10833	10K 1% 0,1W
3900	4822 051 30223	22K 5% 0,1W
4801	4822 051 30008	0R Jumper 0603
4802	4822 051 20008	0R Jumper 0805
4807	4822 051 20008	0R Jumper 0805
4808	4822 051 30008	0R Jumper 0603
4809	4822 051 20008	0R Jumper 0805
4810	4822 051 20008	0R Jumper 0805
4812	4822 051 20008	0R Jumper 0805
4813	4822 051 20008	0R Jumper 0805
4814	4822 051 20008	0R Jumper 0805
4815	4822 051 20008	0R Jumper 0805
4823	4822 051 20008	0R Jumper 0805
4824	4822 051 20008	0R Jumper 0805
4828	4822 051 20008	0R Jumper 0805
4831	4822 051 20008	0R Jumper 0805
4832	4822 051 20008	0R Jumper 0805
4838	4822 051 20008	0R Jumper 0805
4845	4822 051 20008	0R Jumper 0805
4847	4822 051 20008	0R Jumper 0805
4848	4822 051 20008	0R Jumper 0805
4850	4822 051 20008	0R Jumper 0805
4853	4822 051 20008	0R Jumper 0805
4856	4822 051 30008	0R Jumper 0603
4857	4822 051 20008	0R Jumper 0805
4859	4822 051 20008	0R Jumper 0805
4863	4822 051 20008	0R Jumper 0805
4865	4822 051 20008	0R Jumper 0805
4866	4822 051 20008	0R Jumper 0805
4872	4822 051 20008	0R Jumper 0805

ELECTRICAL PARTSLIST - CD99/DA11 BOARD**RESISTORS**

4877	4822 051 30008	0R Jumper 0603
4881	4822 051 20008	0R Jumper 0805
4884	4822 051 20008	0R Jumper 0805
4885	4822 051 30008	0R Jumper 0603
4886	4822 051 20008	0R Jumper 0805
4888	4822 051 20008	0R Jumper 0805
4889	4822 051 20008	0R Jumper 0805

COILS AND FILTERS

1810	4822 242 73557	CST8,46MTW-TF01
5803	4822 157 11231	1 μ H 5%

DIODES

6877	9322 129 34685	BZM55-C3V9
------	----------------	------------

TRANSISTORS & IC

7800	9352 690 17557	SAA7325H/T/M2B/WD
7802	5322 209 11517	PC74HCU04T
7803	5322 130 60123	BC807-40
7804	5322 209 82941	LM358D
7807	5322 130 42755	BC847C
7808	4822 209 32852	TDA7073A/N2
7809	4822 209 32852	TDA7073A/N2
7810	4822 209 33165	TDA1308T/N1
7875	4822 130 60511	BC847B

ELECTRICAL PARTSLIST - COMBI BOARD**MISCELLANEOUS**

1330	2422 026 05099	Headphone socket
1331	4822 267 31176	Speaker Socket
1550	4822 265 20553	Aux. In Socket
1551	4822 267 10953	FFC Socket 7P
1554	4822 267 10731	Connector 6P
1555	4822 265 11515	FFC Socket 8P
1556	2422 025 14526	FFC Socket 16P

CAPACITORS

2251	5322 121 42386	100nF 5% 63V
2252	5322 121 42386	100nF 5% 63V
2253	5322 121 42386	100nF 5% 63V
2254	5322 121 42386	100nF 5% 63V
2256	4822 124 81151	22µF 20% 50V
2257	4822 124 40248	10µF 20% 63V
2258	4822 124 40769	4,7µF 20% 100V
2259	4822 124 40769	4,7µF 20% 100V
2260	3198 017 34730	47nF 20% X7R 16V
2262	3198 016 31020	1nF 20% NP0 25V
2264	4822 124 40769	4,7µF 20% 100V
2265	4822 124 40207	100µF 20% 25V
2266	4822 126 14305	100nF 10% X7R 16V
2267	4822 124 40784	3300µF 20% 16V
2268	4822 124 12012	4700µF 20% 25V
2330	4822 124 40769	4,7µF 20% 100V
2331	2238 786 19852	150pF +80-20% 16V
2332	2238 786 19852	150pF +80-20% 16V
2337	4822 121 42408	220nF 5% 63V
2338	4822 121 42408	220nF 5% 63V
2339	4822 121 42408	220nF 5% 63V
2340	4822 121 42408	220nF 5% 63V
2341	4822 124 40433	47µF 20% 25V
2342	4822 124 40433	47µF 20% 25V
2343	4822 122 33197	1nF 10% 50V
2344	4822 122 33197	1nF 10% 50V
2345	4822 126 14494	22nF 10% X7R 25V
2346	4822 126 14494	22nF 10% X7R 25V
2347	4822 124 40433	47µF 20% 25V
2348	4822 124 40433	47µF 20% 25V
2349	4822 124 40207	100µF 20% 25V
2350	4822 124 40207	100µF 20% 25V
2351	4822 124 40769	4,7µF 20% 100V
2352	4822 124 40433	47µF 20% 25V
2353	5322 126 11583	10nF 10% X7R 50V
2354	5322 126 11583	10nF 10% X7R 50V
2500	4822 124 41584	100µF 20% 10V
2501	4822 124 40196	220µF 20% 16V
2502	4822 124 40248	10µF 20% 63V
2503	4822 126 14494	22nF 10% X7R 25V

CAPACITORS

2505	4822 122 31765	100pF 2% NP0 63V
2506	4822 122 31765	100pF 2% NP0 63V
2507	4822 122 31765	100pF 2% NP0 63V
2508	4822 122 31765	100pF 2% NP0 63V
2509	4822 122 33761	22pF 5% NP0 50V
2510	4822 122 33761	22pF 5% NP0 50V
2511	4822 126 13879	220nF +80-20% 16V
2512	4822 126 13879	220nF +80-20% 16V
2513	4822 122 33777	47pF 5% NP0 63V
2514	4822 122 33777	47pF 5% NP0 63V
2515	5322 126 11583	10nF 10% X7R 50V
2516	5322 126 11583	10nF 10% X7R 50V
2517	4822 126 14247	1,5nF 20% 50V
2518	4822 126 14247	1,5nF 20% 50V
2519	4822 126 13883	220pF 5% 50V
2520	4822 126 13883	220pF 5% 50V
2521	4822 126 14247	1,5nF 20% 50V
2522	4822 126 14247	1,5nF 20% 50V
2523	3198 016 36810	680pF 20% NP0 25V
2524	3198 016 36810	680pF 20% NP0 25V
2525	4822 122 33777	47pF 5% NP0 63V
2526	4822 122 33777	47pF 5% NP0 63V
2527	5322 126 11583	10nF 10% X7R 50V
2528	5322 126 11583	10nF 10% X7R 50V
2529	4822 126 14305	100nF 10% X7R 16V
2530	4822 126 14305	100nF 10% X7R 16V
2531	4822 126 14305	100nF 10% X7R 16V
2532	4822 126 14305	100nF 10% X7R 16V
2533	3198 017 34730	47nF 20% X7R 16V
2534	3198 017 34730	47nF 20% X7R 16V
2535	4822 126 14305	100nF 10% X7R 16V
2550	4822 126 11585	22nF +80-20% 25V
2551	4822 126 14238	2,2nF 20% 50V
2552	4822 126 14238	2,2nF 20% 50V
2553	4822 126 14494	22nF 10% X7R 25V
2554	4822 124 40196	220µF 20% 16V
2555	4822 124 22652	2,2µF 20% 50V
2557	3198 017 44740	470nF +80-20% 10V
2558	4822 126 13883	220pF 5% 50V
2559	4822 126 13883	220pF 5% 50V
2560	4822 126 13883	220pF 5% 50V
2561	4822 124 81151	22µF 20% 50V
2563	4822 124 41407	0,47µF 20% 63V
2564	4822 124 41407	0,47µF 20% 63V
2565	4822 122 31765	100pF 2% NP0 63V
2566	4822 122 31765	100pF 2% NP0 63V
2567	4822 124 22652	2,2µF 20% 50V
2568	4822 124 22652	2,2µF 20% 50V
2569	4822 124 21913	1µF 20% 63V
2570	4822 124 21913	1µF 20% 63V

ELECTRICAL PARTSLIST - COMBI BOARD**CAPACITORS**

2571	3198 017 44740	470nF +80-20% 10V
2573	4822 126 14305	100nF 10% X7R 16V

RESISTORS

3250	4822 051 20471	470R 5% 0,1W
3251	4822 051 30222	2K2 5% 0,1W
3252	4822 051 20472	4K7 5% 0,1W
3253	4822 051 20472	4K7 5% 0,1W
3254	4822 117 11449	2K2 5% 0,1W

3255	4822 050 11002	1K 1% 0,4W
3256	4822 050 11002	1K 1% 0,4W
3257	4822 050 11002	1K 1% 0,4W
3258	4822 116 83884	47K 5% 0,5W
3259	4822 051 30331	330R 5% 0,1W

3260	4822 117 12891	220K 1% 0,1W
3261	4822 117 12864	82K 5% 0,6W
3262	4822 051 10102	1K 2% 0,25W
3263	4822 051 20472	4K7 5% 0,1W
3264	4822 051 10102	1K 2% 0,25W

3266	4822 117 12925	47K 1% 0,1W
3267	4822 117 11449	2K2 5% 0,1W
3268	4822 117 11449	2K2 5% 0,1W
3269	4822 051 30223	22K 5% 0,1W
3271	4822 050 24708	4R7 1% 0,6W

3272	4822 050 24708	4R7 1% 0,6W
3273	4822 050 24708	4R7 1% 0,6W
3274	4822 051 20391	390R 5% 0,1W
3275	4822 116 83883	470R 5% 0,5W
3276	4822 051 30222	2K2 5% 0,1W

3277	4822 051 30222	2K2 5% 0,1W
3278	4822 117 12925	47K 1% 0,1W
3279	4822 051 30102	1K 5% 0,1W
3280	4822 116 52257	22K 5% 0,5W
3281	4822 117 11449	2K2 5% 0,1W

3282	4822 117 11449	2K2 5% 0,1W
3283	4822 117 11449	2K2 5% 0,1W
3284	4822 117 11449	2K2 5% 0,1W
3330	4822 116 52269	3K3 5% 0,5W
3331	4822 050 21003	10K 1% 0,6W

3332	4822 050 21003	10K 1% 0,6W
3333	4822 051 30682	6K8 5% 0,1W
3334	4822 051 30682	6K8 5% 0,1W
3335	4822 051 20228	2R2 5% 0,1W
3336	4822 051 20228	2R2 5% 0,1W

3337	4822 051 20228	2R2 5% 0,1W
3338	4822 051 20228	2R2 5% 0,1W
3339	4822 051 20121	120R 5% 0,1W
3340	4822 051 20121	120R 5% 0,1W
3341	4822 116 52226	560R 5% 0,5W

RESISTORS

3342	4822 116 52226	560R 5% 0,5W
3343	4822 051 30103	10K 5% 0,1W
3344	4822 051 30103	10K 5% 0,1W
3345	4822 051 30103	10K 5% 0,1W
3346	4822 051 30103	10K 5% 0,1W

3347	4822 051 30223	22K 5% 0,1W
3348	4822 051 30223	22K 5% 0,1W
3349	4822 051 30223	22K 5% 0,1W
3350	4822 117 12925	47K 1% 0,1W
3351	4822 051 10102	1K 2% 0,25W

3352	4822 051 10102	1K 2% 0,25W
3353	4822 051 20479	47R 5% 0,1W
3358	4822 051 30472	4K7 5% 0,1W
3359	4822 051 30682	6K8 5% 0,1W
3360	4822 117 13632	100K 1% 0,1W

3361	4822 117 11373	100R 1% 0,1W
3500	4822 117 12968	820R 5% 0,1W
3501	4822 051 30471	470R 5% 0,1W
3502	4822 116 52256	2K2 5% 0,5W
3503	4822 051 30471	470R 5% 0,1W

3505	4822 051 30333	33K 5% 0,1W
3506	4822 051 30333	33K 5% 0,1W
3507	4822 117 12971	15R 5% 0,1W
3508	4822 117 12971	15R 5% 0,1W
3509	4822 051 30333	33K 5% 0,1W

3510	4822 051 30333	33K 5% 0,1W
3511	4822 117 13632	100K 1% 0,1W
3512	4822 117 13632	100K 1% 0,1W
3513	4822 051 30153	15K 5% 0,1W
3514	4822 051 30153	15K 5% 0,1W

3515	4822 051 30333	33K 5% 0,1W
3516	4822 051 30333	33K 5% 0,1W
3517	4822 117 13632	100K 1% 0,1W
3518	4822 117 13632	100K 1% 0,1W
3519	4822 117 12891	220K 1% 0,1W

3520	4822 117 12891	220K 1% 0,1W
3521	4822 050 23303	33K 1% 0,6W
3522	4822 050 23303	33K 1% 0,6W
3523	4822 050 23303	33K 1% 0,6W
3524	4822 050 23303	33K 1% 0,6W

3525	4822 117 12891	220K 1% 0,1W
3526	4822 117 12891	220K 1% 0,1W
3527	4822 117 12891	220K 1% 0,1W
3528	4822 117 12891	220K 1% 0,1W
3529	4822 116 52264	27K 5% 0,5W

3530	4822 116 52264	27K 5% 0,5W
3531	4822 116 52264	27K 5% 0,5W
3532	4822 116 52264	27K 5% 0,5W
3533	4822 051 30333	33K 5% 0,1W
3534	4822 051 30333	33K 5% 0,1W

ELECTRICAL PARTSLIST - COMBI BOARD**RESISTORS**

3535	4822 117 13632	100K 1% 0,1W
3536	4822 117 13632	100K 1% 0,1W
3537	4822 117 12891	220K 1% 0,1W
3538	4822 117 12891	220K 1% 0,1W
3539	4822 051 30223	22K 5% 0,1W
3540	4822 051 30223	22K 5% 0,1W
3541	4822 051 30154	150K 5% 0,1W
3542	4822 051 30154	150K 5% 0,1W
3543	4822 117 12864	82K 5% 0,6W
3544	4822 117 12864	82K 5% 0,6W
3545	4822 117 12902	8K2 1% 0,1W
3546	4822 117 12902	8K2 1% 0,1W
3547	4822 051 30154	150K 5% 0,1W
3548	4822 051 30154	150K 5% 0,1W
3551	4822 051 30333	33K 5% 0,1W
3552	4822 051 30333	33K 5% 0,1W
3553	4822 117 12902	8K2 1% 0,1W
3554	4822 117 12902	8K2 1% 0,1W
3555	4822 051 30682	6K8 5% 0,1W
3556	4822 051 30682	6K8 5% 0,1W
3557	4822 051 30183	18K 5% 0,1W
3558	4822 051 30183	18K 5% 0,1W
3559	4822 051 30272	2K7 5% 0,1W
3560	4822 051 30272	2K7 5% 0,1W
3561	4822 050 21003	10K 1% 0,6W
3562	4822 050 21003	10K 1% 0,6W
3563	4822 117 11373	100R 1% 0,1W
3565	4822 051 20229	22R 5% 0,1W
3566	4822 051 20229	22R 5% 0,1W
3568	4822 051 10102	1K 2% 0,25W
3572	4822 051 30103	10K 5% 0,1W
3573	4822 050 11002	1K 1% 0,4W
3574	4822 117 12925	47K 1% 0,1W
3575	4822 051 30153	15K 5% 0,1W
3576	4822 051 30153	15K 5% 0,1W
3577	4822 051 30471	470R 5% 0,1W
3578	4822 051 30471	470R 5% 0,1W
3579	4822 051 30154	150K 5% 0,1W
3580	4822 051 30154	150K 5% 0,1W
3581	4822 051 30272	2K7 5% 0,1W
3582	4822 051 30272	2K7 5% 0,1W
3583	4822 051 30472	4K7 5% 0,1W
3584	4822 051 30472	4K7 5% 0,1W
3585	4822 051 30222	2K2 5% 0,1W
3586	4822 051 30222	2K2 5% 0,1W
3587	4822 051 30392	3K9 5% 0,1W
3588	4822 051 30392	3K9 5% 0,1W
3589	4822 116 83872	220R 5% 0,5W
4260	4822 051 20008	OR Jumper 0805
4261	4822 051 20008	OR Jumper 0805

RESISTORS

4262	4822 051 20008	OR Jumper 0805
4263	4822 051 20008	OR Jumper 0805
4264	4822 051 20008	OR Jumper 0805
4265	4822 051 20008	OR Jumper 0805
4266	4822 051 20008	OR Jumper 0805
4333	4822 051 20008	OR Jumper 0805
4334	4822 051 20008	OR Jumper 0805
4335	4822 051 20008	OR Jumper 0805
4510	4822 051 20008	OR Jumper 0805
4512	4822 051 20008	OR Jumper 0805
4513	4822 051 20008	OR Jumper 0805
4560	4822 051 20008	OR Jumper 0805
4561	4822 051 20008	OR Jumper 0805
4562	4822 051 20008	OR Jumper 0805
4563	4822 051 20008	OR Jumper 0805
4564	4822 051 20008	OR Jumper 0805
4565	4822 051 20008	OR Jumper 0805
4566	4822 051 20008	OR Jumper 0805
4567	4822 051 20008	OR Jumper 0805
4568	4822 051 20008	OR Jumper 0805
4569	4822 051 20008	OR Jumper 0805
4570	4822 051 20008	OR Jumper 0805
4571	4822 051 20008	OR Jumper 0805
4572	4822 051 20008	OR Jumper 0805
4573	4822 051 20008	OR Jumper 0805

COILS AND FILTERS

5331	4822 157 11837	0,36μH 10%
5332	4822 157 11837	0,36μH 10%
5333	4822 157 11837	0,36μH 10%
5334	4822 157 11837	0,36μH 10%
5550	4822 157 10686	0,47μH 10%
5551	4822 157 10686	0,47μH 10%

DIODES

6254	4822 130 31878	1N4003G
6255	4822 130 31878	1N4003G
6256	4822 130 31878	1N4003G
6257	4822 130 31878	1N4003G
6258	4822 130 31878	1N4003G
6259	4822 130 31878	1N4003G
6260	4822 130 31878	1N4003G
6261	4822 130 31878	1N4003G
6262	4822 130 31878	1N4003G
6263	4822 130 31878	1N4003G

ELECTRICAL PARTSLIST - COMBI BOARD**DIODES**

6264	4822 130 31878	1N4003G
6265	4822 130 31878	1N4003G
6266	4822 130 30621	1N4148
6267	4822 130 30621	1N4148
6268	3198 010 58280	BZX79-B8V2
6269	4822 130 30621	1N4148
6270	4822 130 30621	1N4148
6271	4822 130 34278	BZX79-B6V8
6272	4822 130 61219	BZX79-B10
6275	3198 010 53380	BZX79-B3V3
6331	4822 130 30621	1N4148
6332	4822 130 30621	1N4148
6333	4822 130 30621	1N4148
6500	4822 130 30621	1N4148
6550	3198 010 53380	BZX79-B3V3

TRANSISTORS & IC

7514	4822 130 60511	BC847B
7550	4822 130 42804	BC817-25
7551	4822 209 10263	HEF4052BP
7552	5322 209 10421	HEF4094BP
7553	9322 003 63676	TBC327-40
7555	4822 130 60511	BC847B
7556	4822 130 60511	BC847B

TRANSISTORS & IC

7250	9322 139 24687	BDW94CFP
7251	4822 130 60511	BC847B
7252	4822 130 60511	BC847B
7253	5322 130 44647	BC368
7254	5322 130 44593	BC369
7255	4822 130 60511	BC847B
7256	4822 130 41246	BC327-25
7257	4822 130 41246	BC327-25
7258	4822 130 41246	BC327-25
7259	4822 130 60511	BC847B
7260	5322 130 60845	BC807-25
7261	4822 130 60511	BC847B
7330	9322 133 18682	AN7125P
7331	4822 130 60373	BC856B
7332	4822 130 60373	BC856B
7333	4822 130 60511	BC847B
7500	4822 209 10264	HEF4069UBP
7501	4822 130 44568	BC557B
7502	4822 130 44568	BC557B
7503	4822 130 44568	BC557B
7504	4822 130 44568	BC557B
7505	4822 130 60511	BC847B
7506	4822 130 60511	BC847B
7507	4822 130 60511	BC847B
7508	4822 130 60511	BC847B
7509	4822 130 60511	BC847B
7510	4822 130 60511	BC847B
7511	4822 130 60511	BC847B
7512	4822 130 60511	BC847B
7513	4822 130 60511	BC847B

ELECTRICAL PARTSLIST - LED BOARD**RESISTORS**

3901	4822 051 20121	120R 5% 0,1W
3902	4822 051 20121	120R 5% 0,1W
3903	4822 051 20121	120R 5% 0,1W
3904	4822 051 20121	120R 5% 0,1W

DIODES

6901	9322 033 20682	LED TLHG4405
6902	9322 033 20682	LED TLHG4405
6903	9322 033 20682	LED TLHG4405
6904	9322 033 20682	LED TLHG4405
6905	9322 033 20682	LED TLHG4405
6906	9322 033 20682	LED TLHG4405
6907	9322 033 20682	LED TLHG4405
6908	9322 033 20682	LED TLHG4405
6909	9322 033 20682	LED TLHG4405
6910	9322 033 20682	LED TLHG4405
6911	9322 033 20682	LED TLHG4405
6912	9322 033 20682	LED TLHG4405

ELECTRICAL PARTSLIST - POWER BOARD AND MISCELLANEOUS

1025	4822 276 13963	CD DOOR SWITCH
1600	⚠ 4822 272 10269	Voltage selector (/21 only)
1601	⚠ 4822 071 53152	Fuse 3,15A
1602	⚠ 2422 086 10783	Fuse 2A 250V
5600	⚠ 4822 157 11832	Mains filter 400µH 3A
5601	⚠ 3140 118 32430	Mains Transformer 230V
5601	⚠ 3140 118 32440	Mains Transformer 120/230V
8000	3140 110 21250	FFC Foil 16P 220mm AD
8001	3140 110 21220	FFC Foil 6P 220mm AD
8005	3140 110 21210	FFC Foil 6P 220mm AD
8007	3140 110 21240	FFC Foil 8P 180mm AD
8008	⚠ 4822 321 10781	Mains Cord Set (/21 /22)
8008	⚠ 4822 321 10971	Mains Cord Set SAA (/30)
8009	3140 110 21850	FFC Foil 7P 180mm AD
8010	3140 110 21840	FFC Foil 7P 120mm AD
8800	4822 320 12178	FFC Foil 15P 65mm